

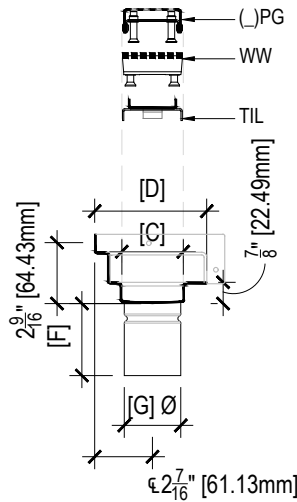
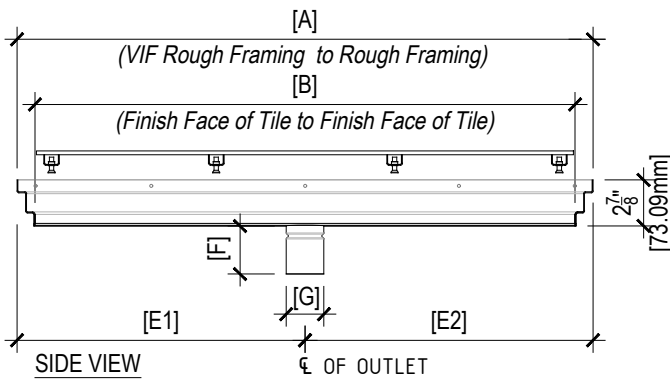
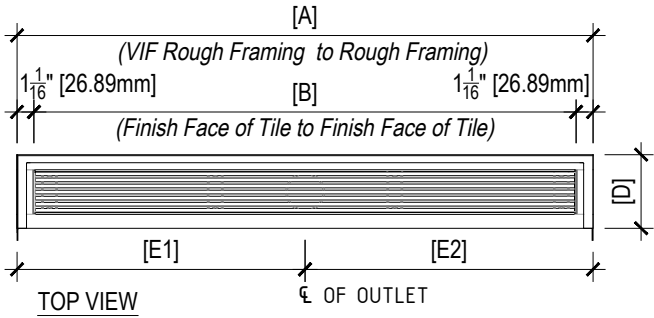


DUFR-TF (FULL SIDE RETURN)  
\*IDEAL USE WITH 1/8" - 3/8" WALL TILE\*

PROJECT: \_\_\_\_\_  
LOCATION: \_\_\_\_\_  
APPROVE BY: \_\_\_\_\_ DATE: \_\_\_\_\_

**DESCRIPTION:** \_\_\_\_\_ **PRODUCT ATTRIBUTES:** \_\_\_\_\_

2-1/2" WIDE STAINLESS STEEL WALL APPLICATION: Residential & Commercial  
MOUNTED LINEAR FLOOR DRAIN (1/8" TO MATERIAL: Stainless Steel  
3/8" WALL TILE READY), THREE FULL-SIDE MATERIAL SPEC: 14ga, AISI304 (\*316L)  
RETURNS BONDING FLANGE WITH. 2" PIPE SIZE: 2-3/8" O.D.  
DIAMETER CENTER OUTLET. 14GA BODY TYPE: 'V'-Shape Bottom  
STAINLESS STEEL AISI304, RUST CERTIFICATION: ASME A 112.18.2  
RESISTANT PASSIVATED FINISH. CERTIFICATION: CSA B 125.2  
MODEL SERIES: DUFR-TF



**\*CUSTOM OPTIONS**

- \*HZ \_\_\_\_\_: HORIZONTAL SIDE OUTLET(R) RIGHT OR (L) LEFT
- \*SOR \_\_\_\_\_: OFFSET OUTLET- \_\_\_\_\_" FOR THE RIGHT OUTSIDE EDGE OF CHANNEL
- \*SOL \_\_\_\_\_: OFFSET OUTLET- \_\_\_\_\_" FOR THE LEFT OUTSIDE EDGE OF CHANNEL
- \*DOR \_\_\_\_\_ L \_\_\_\_\_: DOWEL OFFSET OUTLET- R \_\_\_\_\_" [E2] FOR RIGHT EDGE & L \_\_\_\_\_" [E1] FOR RIGHT EDGE OF THE CHANNEL
- \*RD: REDUCED OUTLET 2" [50mm] & ADAPTER FOR CLAMP RING DRAIN BASE BY OTHERS
- \*316: AISI316L STAINLESS STEEL

MODEL SPECIFICATION: DUFR-TF- \_\_\_\_\_ - \_\_\_\_\_ - \_\_\_\_\_ \* \_\_\_\_\_ eg: DUFR-TF - WW - 36 - BSS \* SOL16"

Labels: GRATE, FINISH, CUSTOM OPTIONS, BODY STYLE, LENGTH.

NOTE: DUFR Series custom drains are annotated with (c) after the series mark. i.e DUFRc

MODEL No.	GRATING:	LENGTH		FINISH
		[A]	[B]	
<input type="checkbox"/> <b>DUFR-TF</b> (IDEAL FOR WALL TO WALL INSTALLATION WITH 1/8" - 3/8" WALL TILE)	 <input type="checkbox"/> WW - "WEDGEWIRE"	<input type="checkbox"/> 30: 30" [762]	<input type="checkbox"/> 27-3/4" [704,98]	<input type="checkbox"/> <b>PSS:</b> Polished Stainless Steel (EXCLUDE TIL)
		<input type="checkbox"/> 32: 32" [812,80]	<input type="checkbox"/> 29-3/4" [755,78]	<input type="checkbox"/> <b>BSS-</b> Brushed Stainless Steel
	<input type="checkbox"/> 34: 34" [863,60]	<input type="checkbox"/> 31-3/4" [806,58]	<input type="checkbox"/> <b>BP:</b> Black Powder Coated (EXCLUDE TIL)	
	<input type="checkbox"/> 36: 36" [914,40]	<input type="checkbox"/> 33-3/4" [857,38]	<input type="checkbox"/> <b>BRM:</b> Brass Matte (WW, SPG ONLY)	
	<input type="checkbox"/> 40: 40" [1016]	<input type="checkbox"/> 37-3/4" [958,98]		
	 <input type="checkbox"/> TIL - "TILE-IN TRAY"	<input type="checkbox"/> 42: 42" [1066,80]	<input type="checkbox"/> 39-3/4" [1008,98]	
		<input type="checkbox"/> 44: 44" [1117,60]	<input type="checkbox"/> 41-3/4" [1060,58]	
	 <input type="checkbox"/> SPG - "SQUARE"	<input type="checkbox"/> 48: 48" [1219,20]	<input type="checkbox"/> 45-3/4" [1162,18]	
		<input type="checkbox"/> 54: 54" [1371,60]	<input type="checkbox"/> 51-3/4" [1314,58]	
		<input type="checkbox"/> 60: 60" [1524]	<input type="checkbox"/> 57-3/4" [1466,98]	
		<input type="checkbox"/> 66: 66" [1676,40]	<input type="checkbox"/> 63-3/4" [1619,38]	
		<input type="checkbox"/> 72: 72" [1828,80]	<input type="checkbox"/> 69-3/4" [1771,65]	
			(Custom)	



