

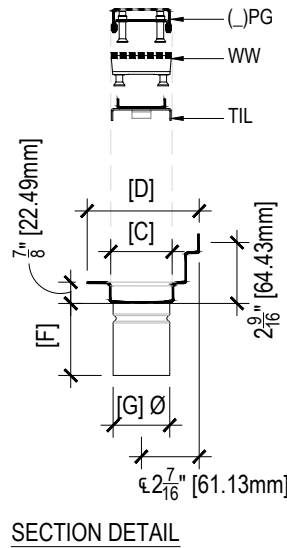
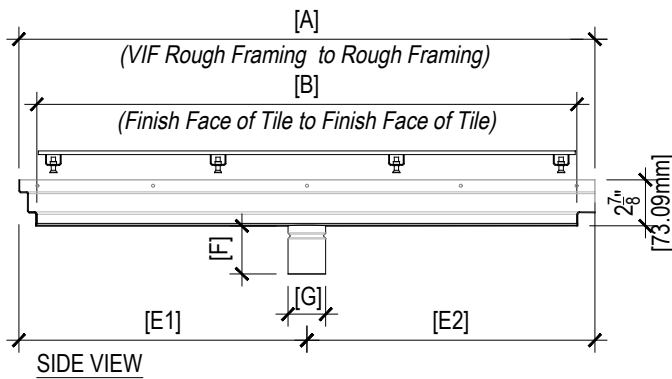
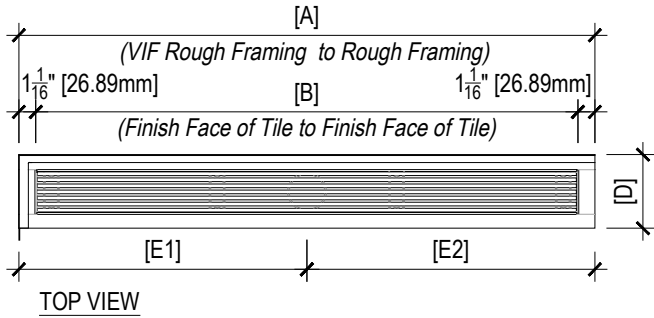
PROJECT: \_\_\_\_\_  
 LOCATION: \_\_\_\_\_  
 APPROVE BY: \_\_\_\_\_ DATE: \_\_\_\_\_

**DESCRIPTION:** \_\_\_\_\_ **PRODUCT ATTRIBUTES:** \_\_\_\_\_

2-1/2" WIDE STAINLESS STEEL WALL MOUNTED LINEAR FLOOR DRAIN (1/8" TO 3/8" WALL TILE READY), LEFT SIDE RETURNS BONDING FLANGE WITH. 2" DIAMETER CENTER OUTLET. 14GA STAINLESS STEEL AISI304, RUST RESISTANT PASSIVATED FINISH.

APPLICATION: Residential & Commercial  
 MATERIAL: Stainless Steel  
 MATERIAL SPEC: 14ga, AISI304 (\*316L)  
 PIPE SIZE: 2-3/8" O.D.  
 BODY TYPE: 'V'-Shape Bottom  
 CERTIFICATION: ASME A 112.18.2  
 CERTIFICATION: CSA B 125.2  
 MODEL SERIES: DUFR-TL

DUFR-TL (LEFT SIDE RETURN)  
 \*IDEAL USE WITH 1/8" - 3/8" WALL TILE\*



**\*CUSTOM OPTIONS**

- \*HZ\_\_\_\_\_: HORIZONTAL SIDE OUTLET(R) RIGHT OR (L) LEFT
- \*SOR\_\_\_\_\_: OFFSET OUTLET-\_\_\_\_\_ " FOR THE RIGHT OUTSIDE EDGE OF CHANNEL
- \*SOL\_\_\_\_\_: OFFSET OUTLET-\_\_\_\_\_ " FOR THE LEFT OUTSIDE EDGE OF CHANNEL
- \*DOR\_\_\_\_L\_\_\_\_\_: DOWEL OFFSET OUTLET- R\_\_\_\_\_ " [E2] FOR RIGHT EDGE & L\_\_\_\_\_ " [E1] FOR RIGHT EDGE OF THE CHANNEL
- \*RD: REDUCED OUTLET 2" [50mm] & ADAPTER FOR CLAMP RING DRAIN BASE BY OTHERS
- \*316: AISI316L STAINLESS STEEL

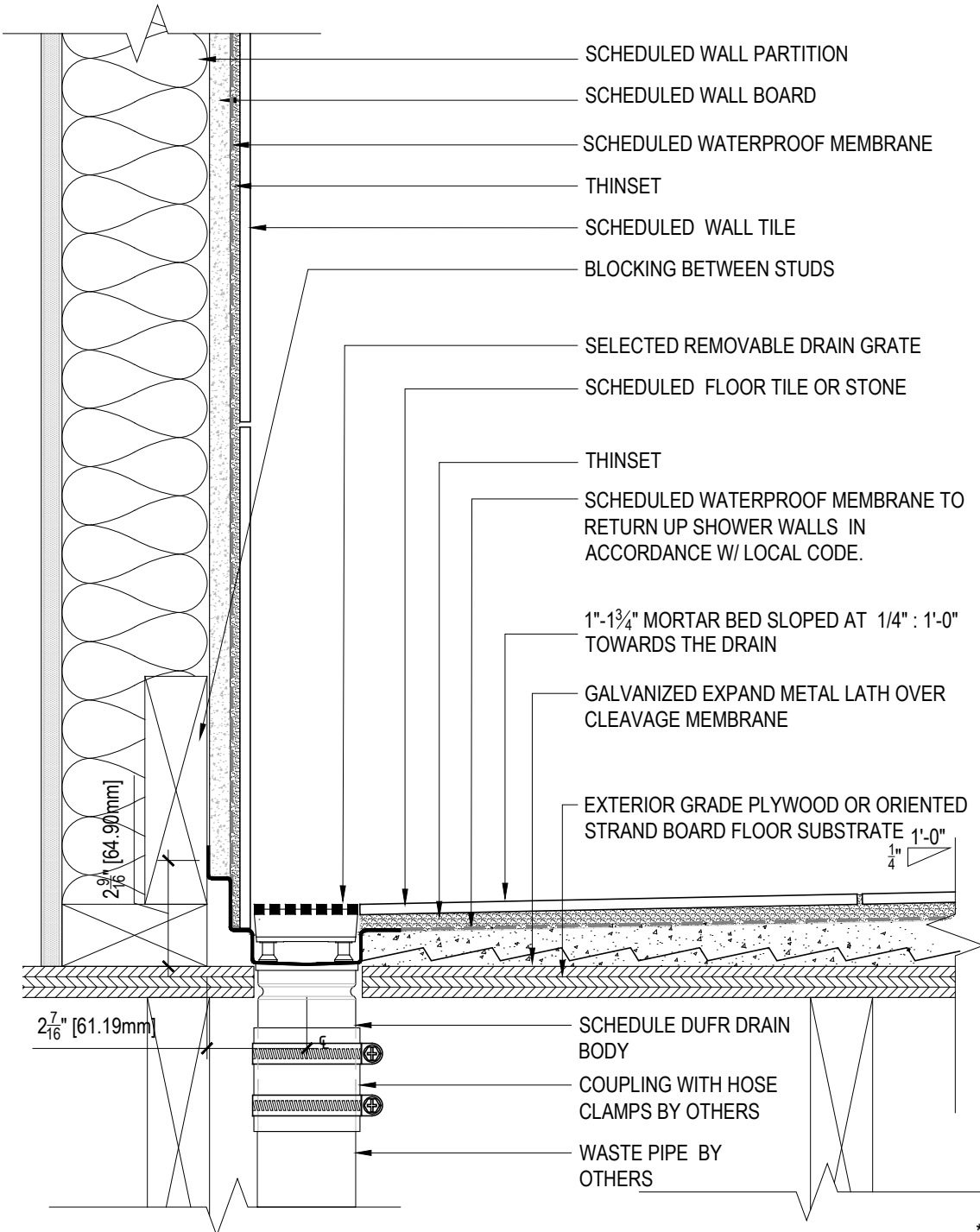
MODEL SPECIFICATION: DUFR-TL-\_\_\_\_\_\* eg: 

GRATE	FINISH	ACCESSORY/	OPTIONS
DUFR-TL - WW - 36 - BSS			* SOL16"
BODY STYLE	LENGTH		

NOTE: DUFR Series custom drains are annotated with (c) after the series mark. i.e DUFRc

MODEL No.	GRATING:	LENGTH		FINISH
		[A]	[B]	
<b>DUFR-TL</b> (IDEAL FOR LEFT WALL TO CURBED OR CURBLESS INSTALLATION WITH 1/8" - 3/8" WALL TILE)	 WW - "WEDGEWIRE"	<input type="checkbox"/> 30: 30" [762]	<input type="checkbox"/> 27-3/4" [704,98]	<input type="checkbox"/> <b>PSS:</b> Polished Stainless Steel (EXCLUDE TIL)
		<input type="checkbox"/> 32: 32" [812,80]	<input type="checkbox"/> 29-3/4" [755,78]	<input type="checkbox"/> <b>BSS-</b> Brushed Stainless Steel
	 TIL - "TILE-IN TRAY"	<input type="checkbox"/> 34: 34" [863,60]	<input type="checkbox"/> 31-3/4" [806,58]	<input type="checkbox"/> <b>BP:</b> Black Powder Coated (EXCLUDE TIL)
		<input type="checkbox"/> 36: 36" [914,40]	<input type="checkbox"/> 33-3/4" [857,38]	<input type="checkbox"/> <b>BRM:</b> Brass Matte (WW, SPG ONLY)
	 SPG - "SQUARE"	<input type="checkbox"/> 40: 40" [1016]	<input type="checkbox"/> 37-3/4" [958,98]	
		<input type="checkbox"/> 42: 42" [1066,80]	<input type="checkbox"/> 39-3/4" [1008,98]	
		<input type="checkbox"/> 44: 44" [1117,60]	<input type="checkbox"/> 41-3/4" [1060,58]	
		<input type="checkbox"/> 48: 48" [1219,20]	<input type="checkbox"/> 45-3/4" [1162,18]	
		<input type="checkbox"/> 54: 54" [1371,60]	<input type="checkbox"/> 51-3/4" [1314,58]	
		<input type="checkbox"/> 60: 60" [1524]	<input type="checkbox"/> 57-3/4" [1466,98]	
		<input type="checkbox"/> 66: 66" [1676,40]	<input type="checkbox"/> 63-3/4" [1619,38]	
		<input type="checkbox"/> 72: 72" [1828,80]	<input type="checkbox"/> 69-7/8" [1771,78]	
		<input type="checkbox"/> (Custom)		





\*\*PATENT PENDING US, EU, & CANADA\*\*