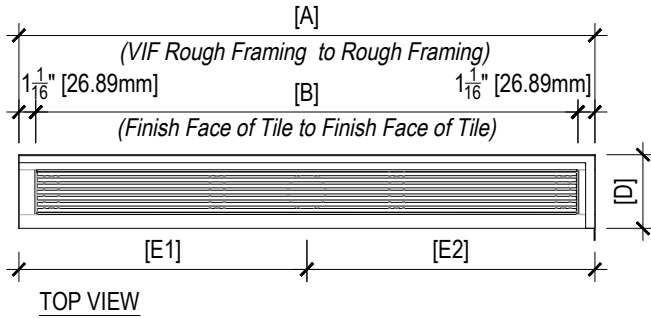


PROJECT: _____
 LOCATION: _____
 APPROVE BY: _____ DATE: _____

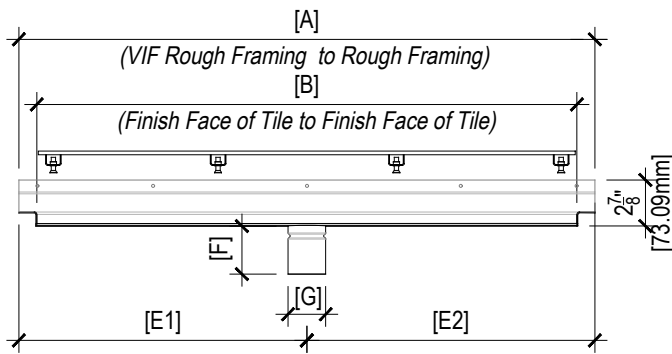
DESCRIPTION: _____ **PRODUCT ATTRIBUTES:** _____

2-1/2" WIDE STAINLESS STEEL WALL APPLICATION: Residential & Commercial
 MOUNTED LINEAR FLOOR DRAIN (1/8" TO MATERIAL: Stainless Steel
 3/8" WALL TILE READY), RIGHT SIDE MATERIAL SPEC: 14ga, AISI304 (*316L)
 RETURNS BONDING FLANGE WITH. 2" PIPE SIZE: 2-3/8" O.D.
 DIAMETER CENTER OUTLET. 14GA BODY TYPE: 'V'-Shape Bottom
 STAINLESS STEEL AISI304, RUST CERTIFICATION: ASME A 112.18.2
 RESISTANT PASSIVATED FINISH. CERTIFICATION: CSA B 125.2
 MODEL SERIES: DUFR-TR

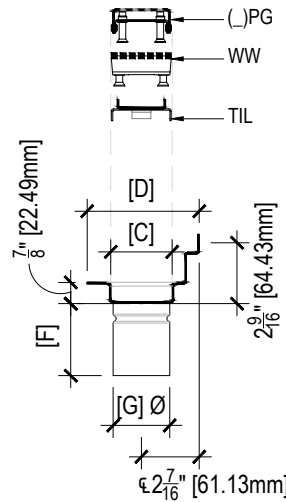
DUFR-TR (RIGHT SIDE RETURN)
 IDEAL USE WITH 1/8" - 3/8" WALL TILE



TOP VIEW



SIDE VIEW



SECTION DETAIL

***CUSTOM OPTIONS**

- *HZ _____: HORIZONTAL SIDE OUTLET(R) RIGHT OR (L) LEFT
- *SOR _____: OFFSET OUTLET- _____" FOR THE RIGHT OUTSIDE EDGE OF CHANNEL
- *SOL _____: OFFSET OUTLET- _____" FOR THE LEFT OUTSIDE EDGE OF CHANNEL
- *DOR _____ L _____: DOWEL OFFSET OUTLET- R _____" [E2] FOR RIGHT EDGE & L _____" [E1] FOR LEFT EDGE OF THE CHANNEL
- *RD: REDUCED OUTLET 2" [50mm] & ADAPTER FOR CLAMP RING DRAIN BASE BY OTHERS
- *316: AISI316L STAINLESS STEEL

MODEL SPECIFICATION: DUFR-TR- _____ - _____ * _____ eg: DUFR-TR - WW - 36 - BSS * SOL16"
 GRATE FINISH ACCESSORY/OPTIONS
 BODY STYLE LENGTH

NOTE: DUFR Series custom drains are annotated with (c) after the series mark. i.e DUFRc

MODEL No.	GRATING:	LENGTH		FINISH
		[A]	[B]	
DUFR-TR (IDEAL FOR RIGHT WALL TO CURBED OR CURBLESS INSTALLATION WITH 1/8" - 3/8" WALL TILE)	 WW - "WEDGEWIRE"	<input type="checkbox"/> 30: 30" [762]	<input type="checkbox"/> 27-3/4" [704,98]	<input type="checkbox"/> PSS: Polished Stainless Steel (EXCLUDE TIL)
		<input type="checkbox"/> 32: 32" [812,80]	<input type="checkbox"/> 29-3/4" [755,78]	<input type="checkbox"/> BSS- Brushed Stainless Steel
	 TIL - "TILE-IN TRAY"	<input type="checkbox"/> 34: 34" [863,60]	<input type="checkbox"/> 31-3/4" [806,58]	<input type="checkbox"/> BP: Black Powder Coated (EXCLUDE TIL)
		<input type="checkbox"/> 36: 36" [914,40]	<input type="checkbox"/> 33-3/4" [857,38]	<input type="checkbox"/> BRM: Brass Matte (WW, SPG ONLY)
	 SPG - "SQUARE"	<input type="checkbox"/> 40: 40" [1016]	<input type="checkbox"/> 37-3/4" [958,98]	
		<input type="checkbox"/> 42: 42" [1066,80]	<input type="checkbox"/> 39-3/4" [1008,98]	
		<input type="checkbox"/> 44: 44" [1117,60]	<input type="checkbox"/> 41-3/4" [1060,58]	
		<input type="checkbox"/> 48: 48" [1219,20]	<input type="checkbox"/> 45-3/4" [1162,18]	
		<input type="checkbox"/> 54: 54" [1371,60]	<input type="checkbox"/> 51-3/4" [1314,58]	
		<input type="checkbox"/> 60: 60" [1524]	<input type="checkbox"/> 57-3/4" [1466,98]	
		<input type="checkbox"/> 66: 66" [1676,40]	<input type="checkbox"/> 63-3/4" [1619,38]	
		<input type="checkbox"/> 72: 72" [1828,80]	<input type="checkbox"/> 69-7/8" [1771,78]	
		<input type="checkbox"/> _____	<input type="checkbox"/> _____	

(Custom)

