

DUXT SERIES - MODEL SELECTION



"WW Wedgewire Grate"



"Pp Perforated Grate"

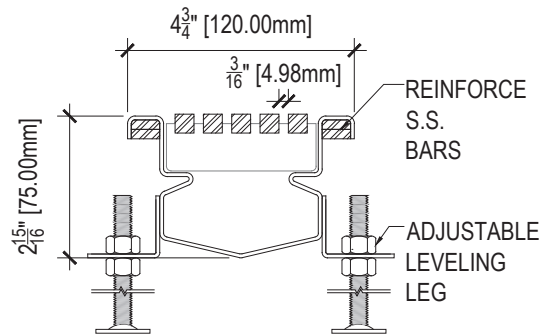
Model DUXT- _____

EXTERIOR TRENCH DRAIN

DUXT Series exterior trench drain provides a timeless, durable aesthetic appeal that will last a lifetime. The Channel and high heel-rated grating are constructed of industrial-grade stainless steel with a rust-resistant passivated coating.

APPLICATION:

- Building Entry
- Patios
- Garage
- Saunas & Spas
- Pools
- Commercial Kitchen



eg:

DUXT-5V	-	96	-	3	-	WW	-	VPG
MODEL		LENGTH		PIPE		GRATE		OPTIONS

MODEL:

- DUXT-5V:**
5" wide V-Shape bottom Heavy Duty trench drain w/ vertical no-hub outlet
- DUXT-5H:**
5" wide V-Shape bottom Heavy Duty trench drain w/ horizontal no-hub outlet

LENGTH:

- _____"
- Custom Length

PIPE SIZE:

- 2:** 2-3/8" O.D. [60.3mm]
- 3:** 3-1/2" O.D. [89.9mm]
- 4:** 4-1/2" O.D. [114.1mm]

GRATE STYLE:

- B** - Perforated Sheet - 9GA
- WW** - Wedgewire - 1/2" thick
- P** - Solid plate grate w/ perimeter slots - 1/2" thick.
- Pp** - Perforated plate grate - 1/2" thick

* CUSTOM OPTION:

- *SOR_____** - Single (R)ight Offset Out let from outside edge of the channel.
- *SOL_____** - Single (L)eft Offset Out let from outside edge of the channel.
- *DOR_____L_____** - Dual Offset Outlet from (R)ight edge and (L)eft edge of the channel.
- *VPG** - Locking Screwed in Grating
- *FB** - Filter Cleanout Basket
- *EXB8** - 8"x8" Extended Cleanout Box
- *EXB12** - 12"x12" Extended Cleanout Box
- *316** - AISI316L Stainless Steel