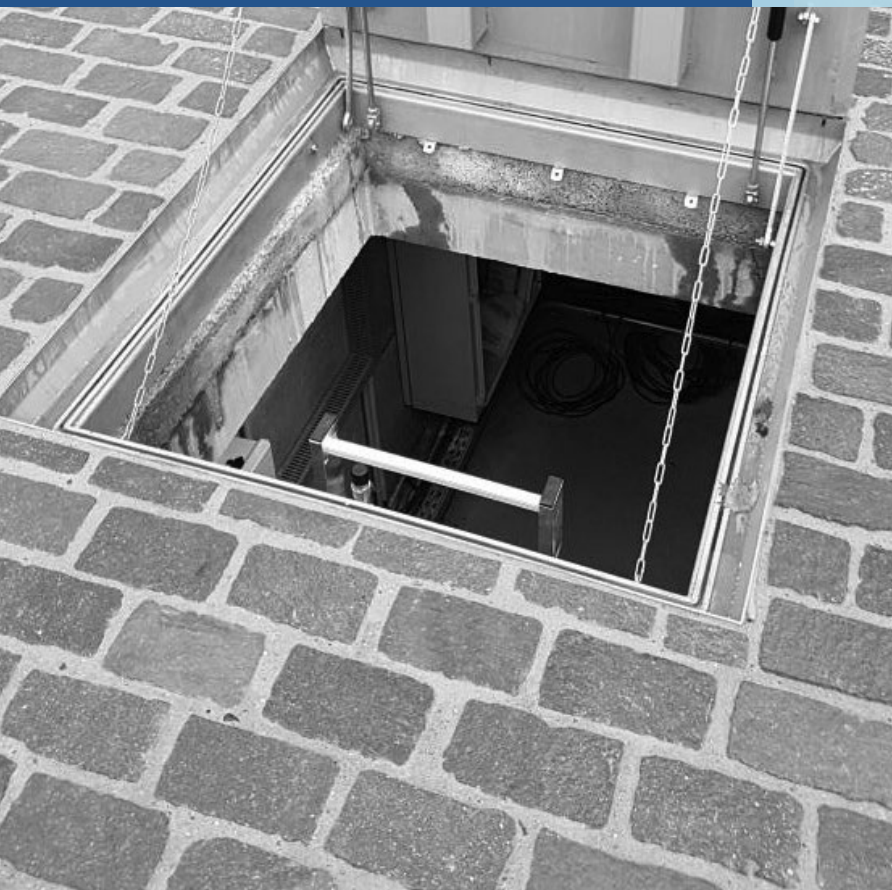




**DRAINS**  
UNLIMITED  
Stainless Steel Engineering



## Stainless Steel Manhole Covers



- easy access to underfloor installations
- isolation against odors
- waterproof
- simple opening system
- high durability
- aesthetically appealing

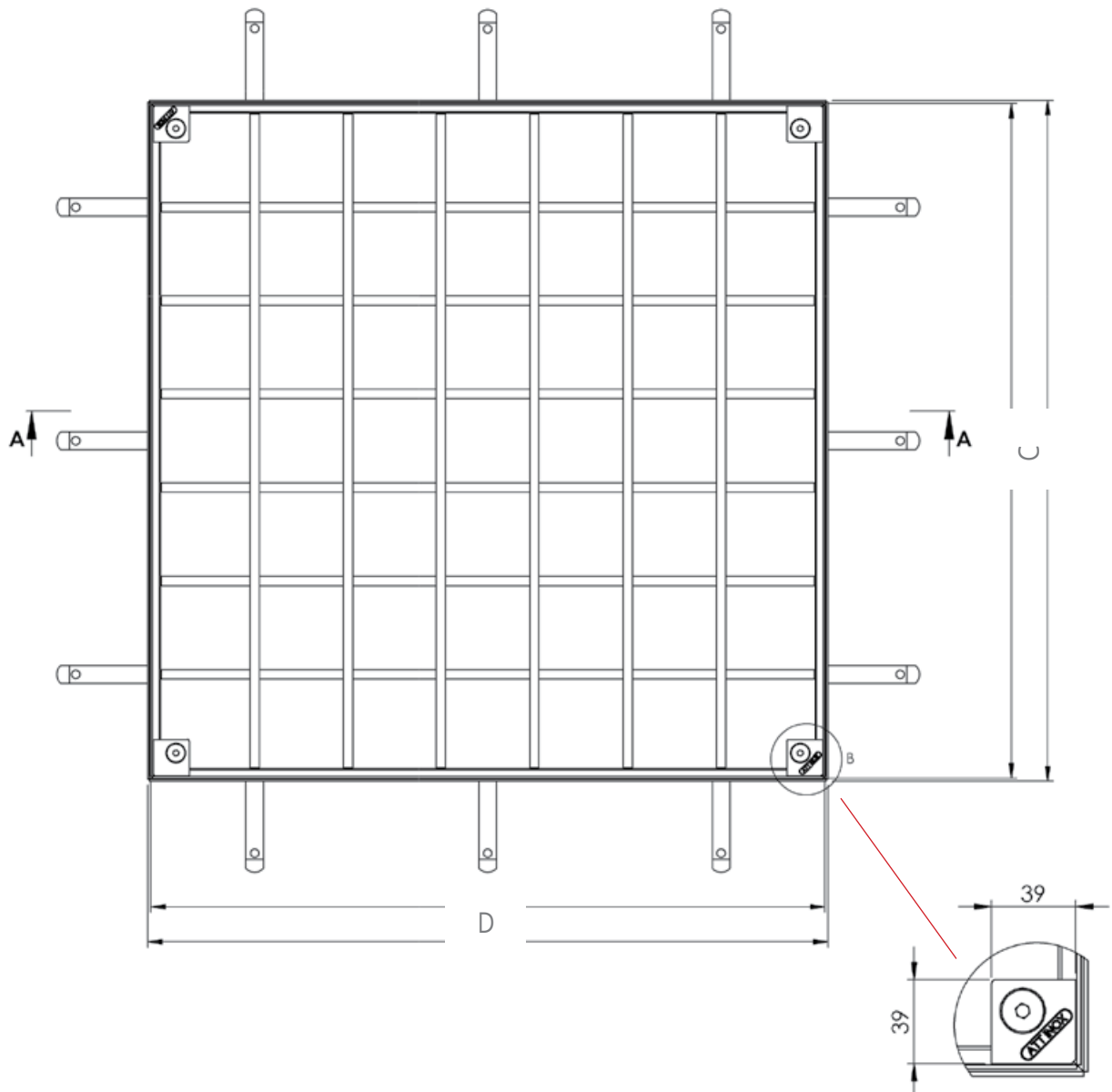
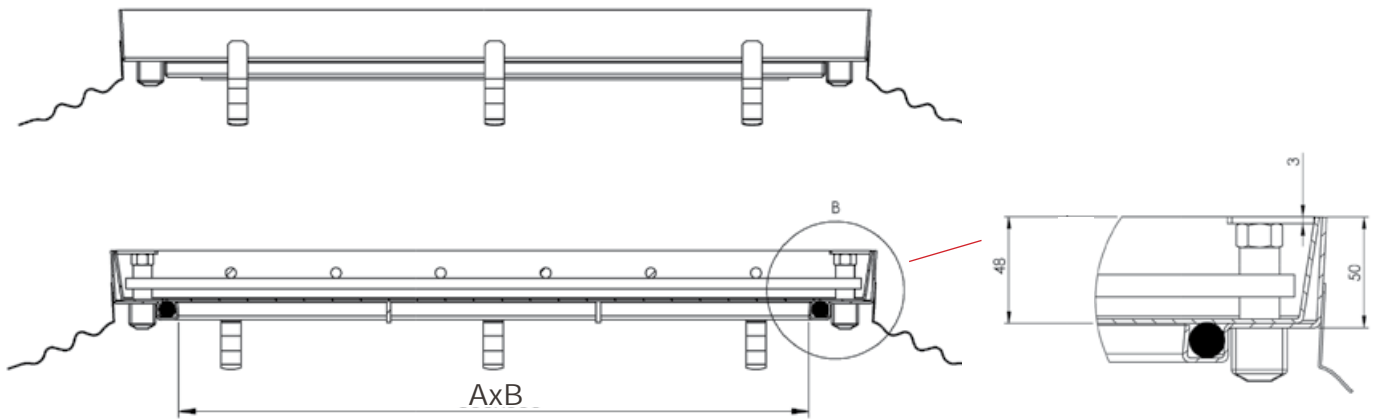
Type	Height [mm]	External CxD dimensions [mm]	Internal AxB dimensions [mm]
K3x3	50	430x430	300x300
K4x4	50	530x530	400x400
K4x6	50	530x730	400x600
K5x5	50	630x630	500x500
K5x7	50	630x830	500x700
K6x6	50	730x730	600x600
K6x8	50	630x930	600x800
K7x7	50	830x830	700x700
K8x8	50	930x930	800x800
K9x9	50	1030x1030	900x900
K10x10	50	1130x1130	1000x1000

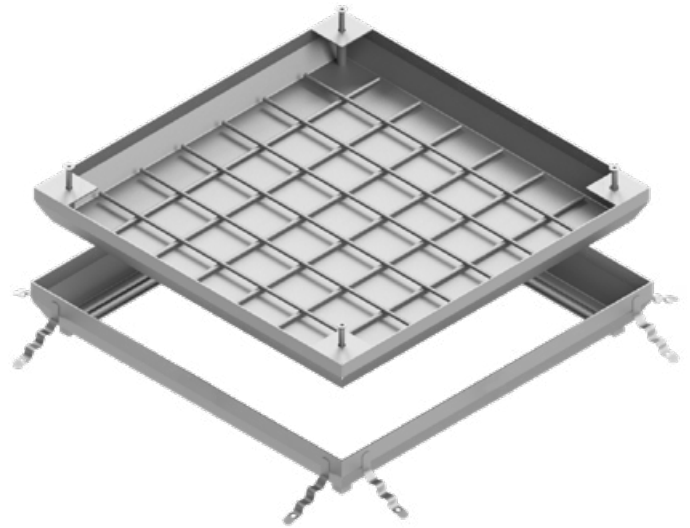
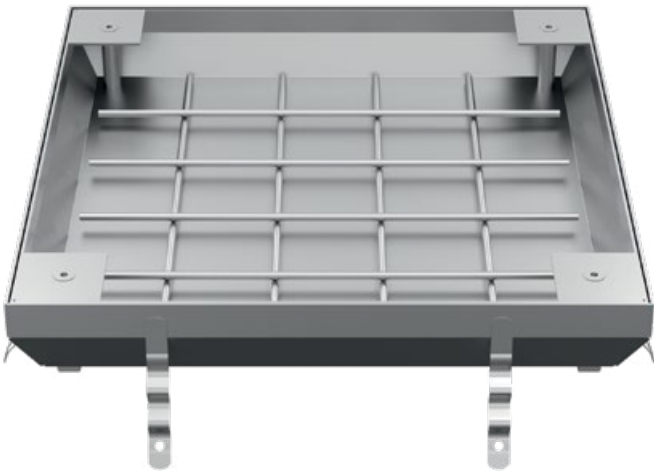
## A15 class manhole covers

Standard gas-tight manholes consist of an upper and a lower part, a screw fastening ensuring a secure and stable closure and reinforcement made of „black steel“. They are equipped with an O-ring seal between two parts of the hatch.

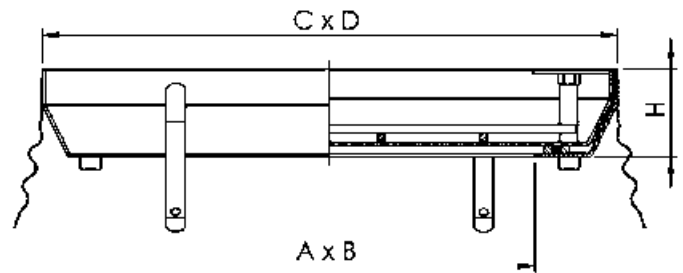
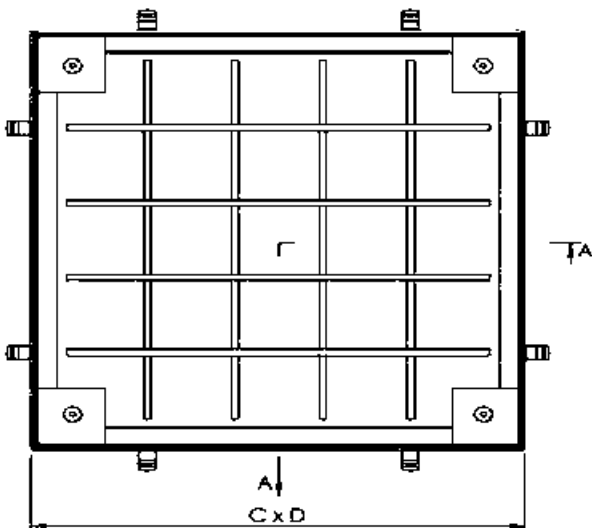
- easy access to underfloor installations
- insulation against odors
- waterproof
- simple opening system
- high durability
- aesthetics







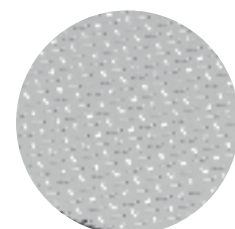
Dimensions of a gas-tight manhole covers



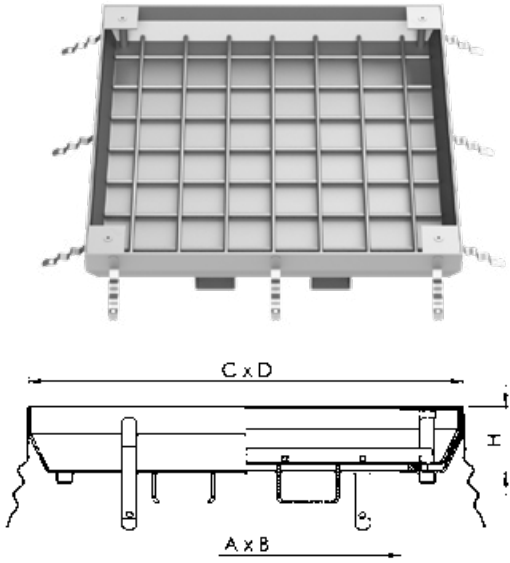
The set includes 2x handle



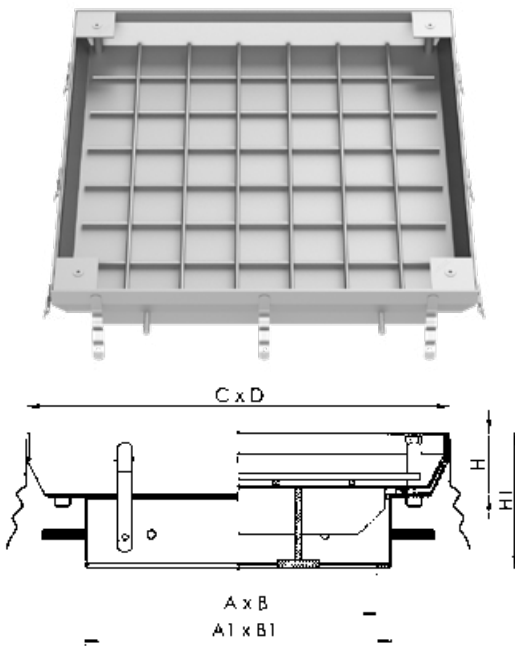
Option: checker plate



Class	Type	A x B [mm]	C x D [mm]	H [mm]
B125	K3x3	300x300	460x460	85
	K4x4	400x400	560x560	85
	K5x5	500x500	660x660	85
	K6x6	600x600	760x760	85
	K7x7	700x700	880x880	100
	K8x8	800x800	980x980	100
	K9x9	900x900	1080x1080	100
	K10x10	1000x1000	1180x1180	100



Class	Type	A x B [mm]	C x D [mm]	H [[mm]
C250	K3x3	300x300	460x460	85
	K4x4	400x400	560x560	85
	K5x5	500x500	660x660	85
	K6x6	600x600	760x760	85
	K7x7	700x700	880x880	100
	K8x8	800x800	980x980	100
	K9x9	900x900	1080x1080	100
	K10x10	1000x1000	1180x1180	100



Class	Type	A x B [mm]	A1 x B1 [mm]	C x D [mm]	H [[mm]	H1 [mm]
D400	K3x3	300x300	340x340	494x494	85	180
	K4x4	400x400	440x440	594x594	85	180
	K5x5	500x500	540x540	694x694	85	180
	K6x6	600x600	640x640	794x794	85	180
	K7x7	700x700	740x740	914x914	100	195
	K8x8	800x800	840x840	1014x1014	100	195
	K9x9	900x900	940x940	1114x1114	100	195
	K10x10	1000x1000	1040x1040	1214x1214	100	195

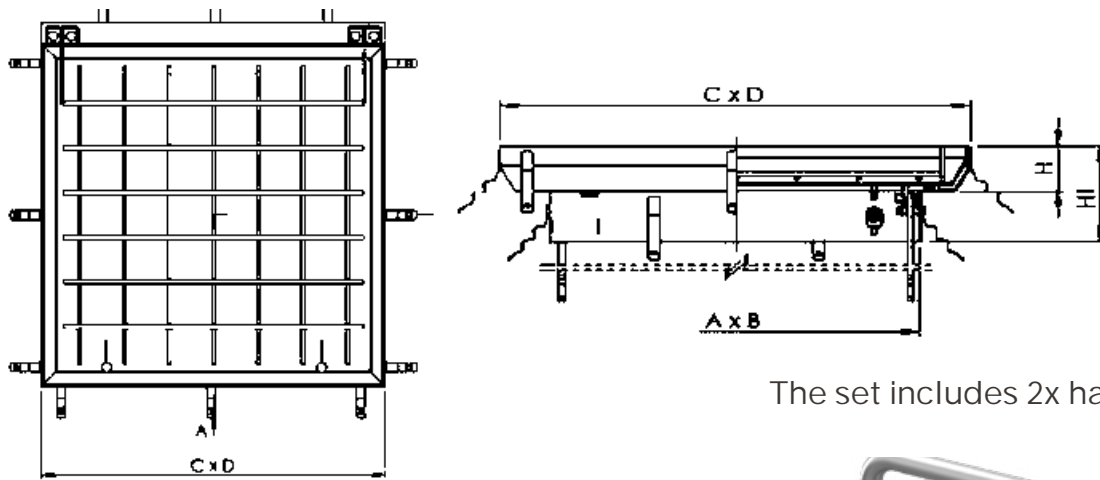
Option: modular gas-tight manhole cover



We offer design and production of bespoke gas-tight single and modular manhole covers.



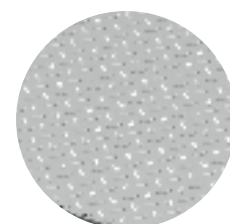
Dimensions of a gas-tight manhole covers with gas lifters



The set includes 2x handle

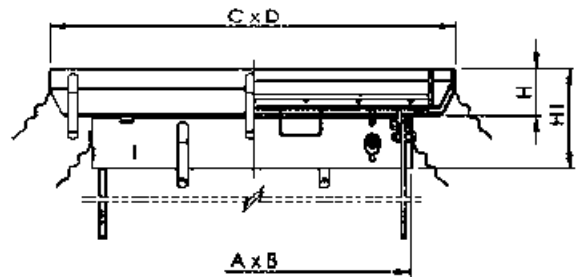


Option: checker plate

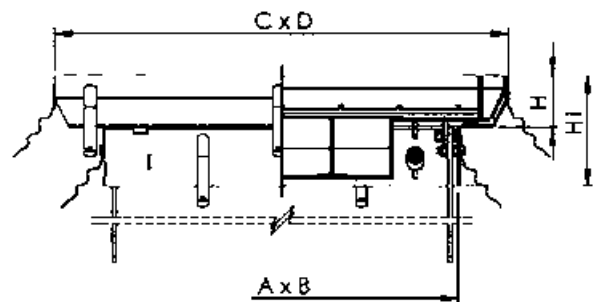


Class	Type	A x B [mm]	C x D [mm]	H [mm]	H1 [mm]
B125	K6x6	600x600	770x770	100	200
	K7x7	700x700	870x870	100	200
	K8x8	800x800	970x970	100	200
	K9x9	900x900	1070x1070	100	200
	K10x10	1000x1000	1170x1170	100	200

Class	Typ	A x B [mm]	C x D [mm]	H [mm]	H1 [mm]
C250	K6x6	600x600	770x770	100	200
	K7x7	700x700	870x870	100	200
	K8x8	800x800	970x970	100	200
	K9x9	900x900	1070x1070	100	200
	K10x10	1000x1000	1170x1170	100	200

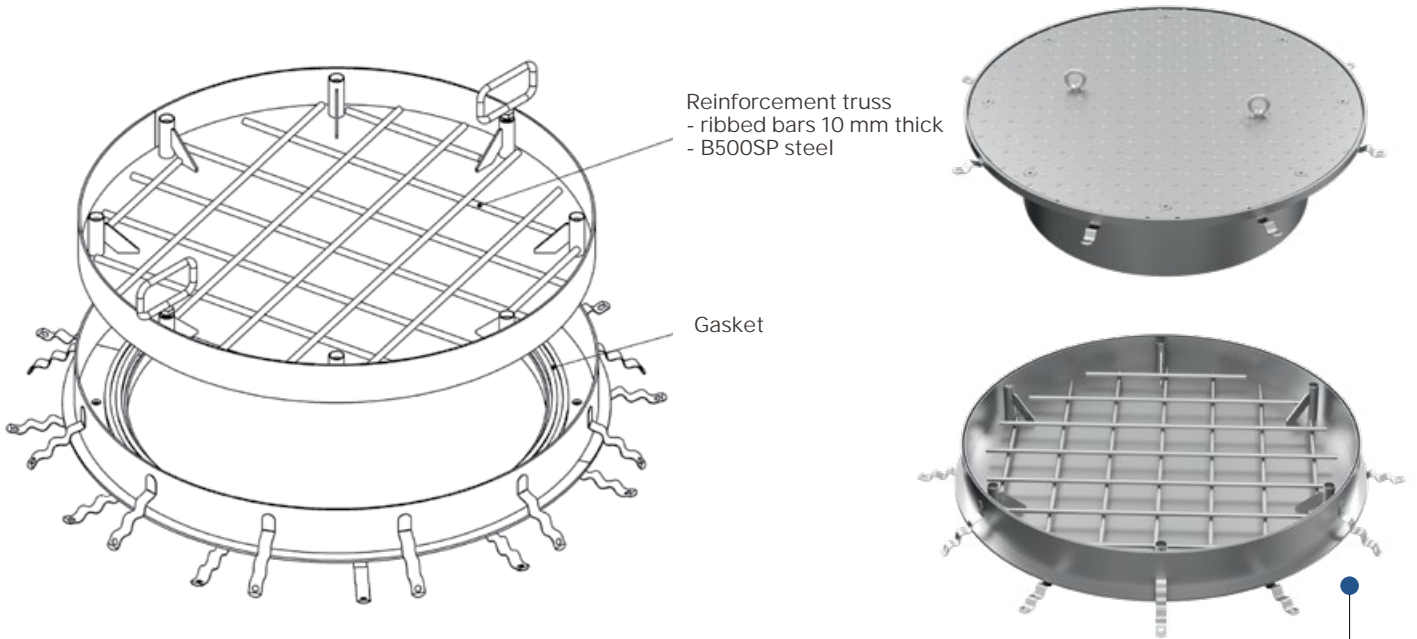


Class	Typ	A x B [mm]	C x D [mm]	H [mm]	H1 [mm]
D400	K6x6	600x600	770x770	100	200
	K7x7	700x700	870x870	100	200
	K8x8	800x800	970x970	100	200
	K9x9	900x900	1070x1070	100	200
	K10x10	1000x1000	1170x1170	100	200

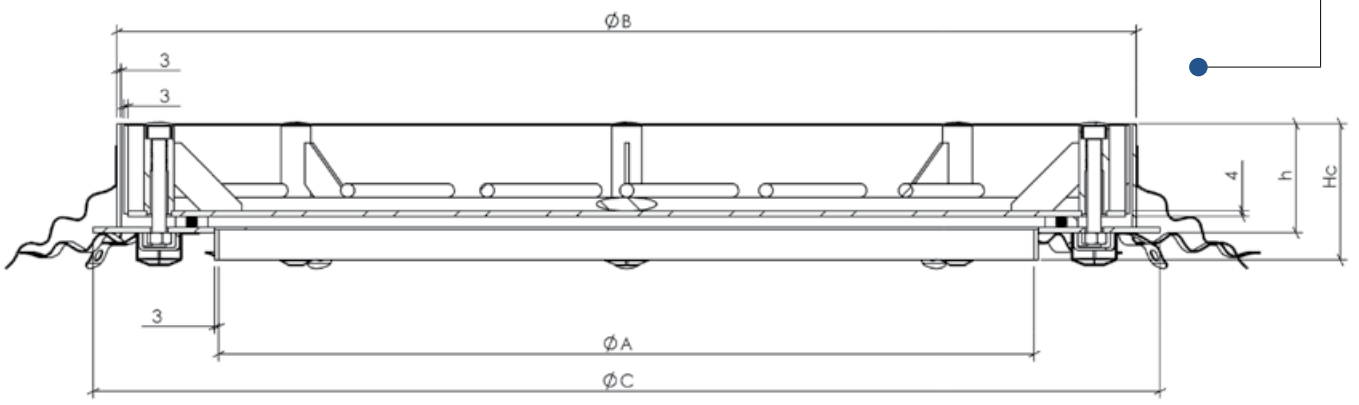


# Round Manhole Covers

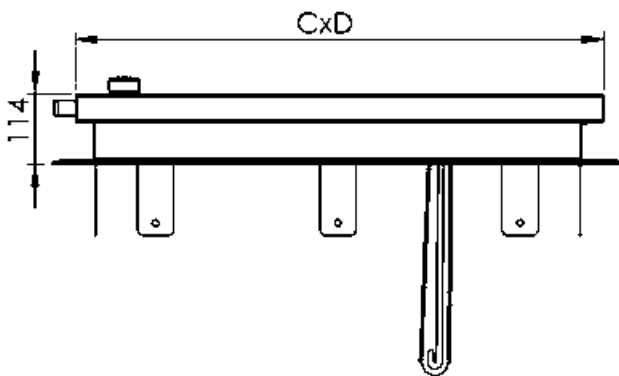
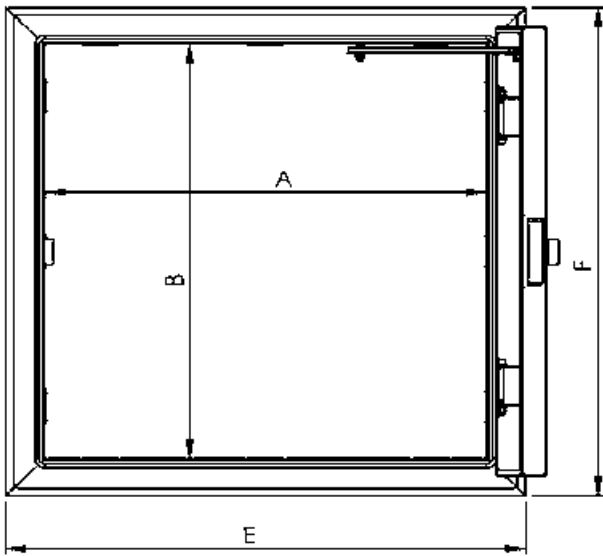
Our range of products is complemented by round manhole covers. They are manufactured in two versions: for filling or with a stainless checker plate. The engineering department adapts the dimensions and structures resulting from the expected load class as per individual specifications of the client.



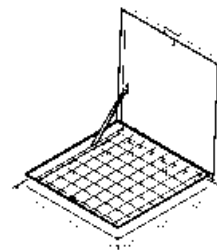
Type	A [mm]	B [mm]	C [mm]	Class A15		Class B125		Class C250		Class D400	
				h [mm]	Hc [mm]	h [mm]	Hc [mm]	h [mm]	Hc [mm]	h [mm]	Hc [mm]
D600	600	750	785	60	80	80	100	100	150	100	200
D700	700	850	885	60	80	80	100	100	150	100	200
D800	800	950	985	60	80	80	100	100	150	100	200
D900	900	1050	1085	60	80	80	100	100	150	100	200
D1000	1000	1150	1185	60	80	80	100	100	150	100	200



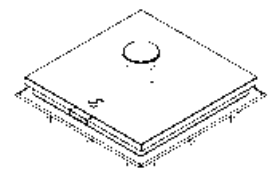




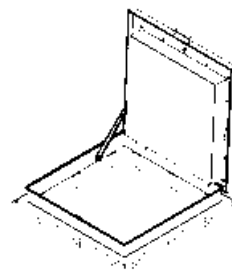
Type	A x B [mm]	C x D [mm]	E x F [mm]
WB-1 4x4	400 x 400	484 x 484	543 x 543
WB-1 5x5	500 x 500	584 x 584	643 x 643
WB-1 6x6	600 x 600	684 x 684	743 x 743
WB-1 7x7	700 x 700	784 x 784	843 x 843
WB-1 8x8	800 x 800	884 x 884	943 x 943
WB-1 9x9	900 x 900	984 x 984	1043 x 1043
WB-1 10x10	1000 x 1000	1084 x 1084	1143 x 1143



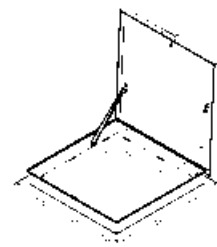
With protective grid



With a ventilation cup

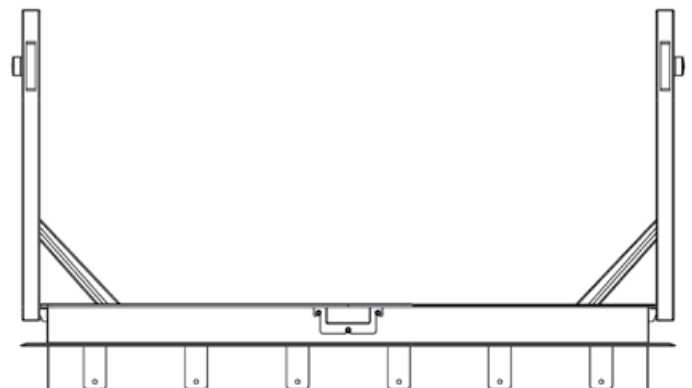
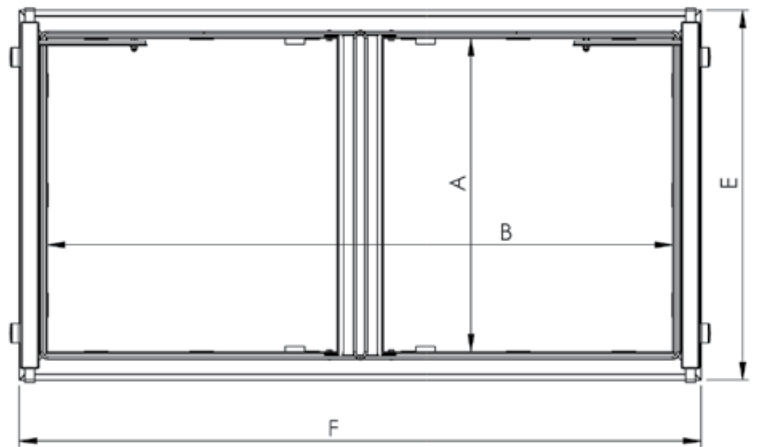
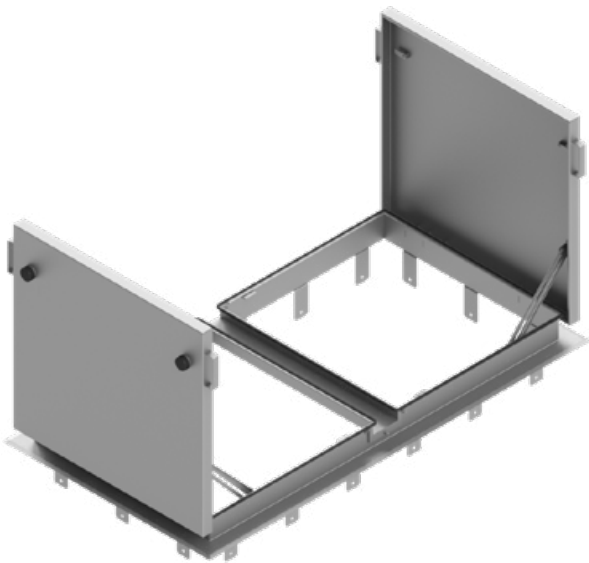
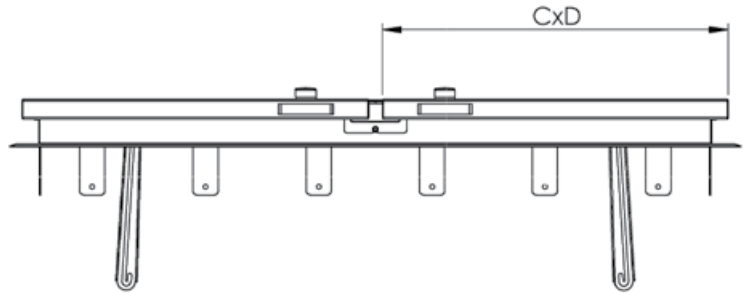


With insulation



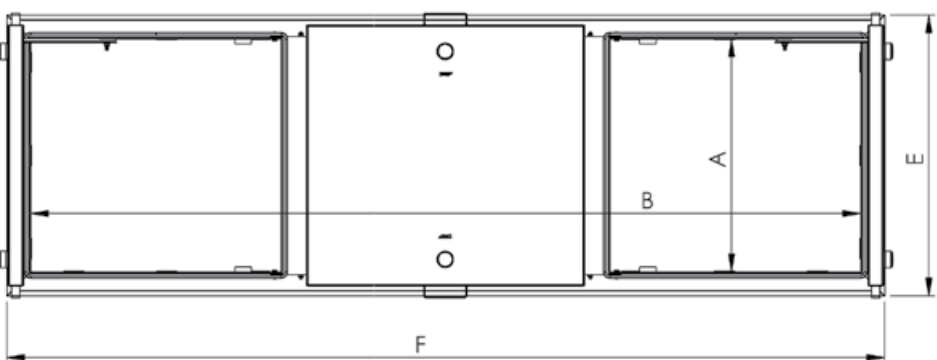
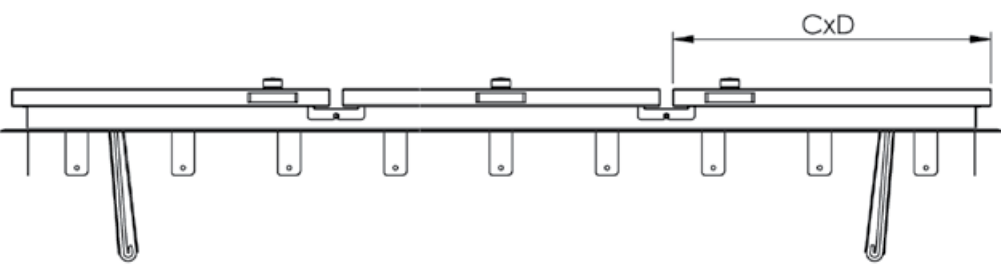
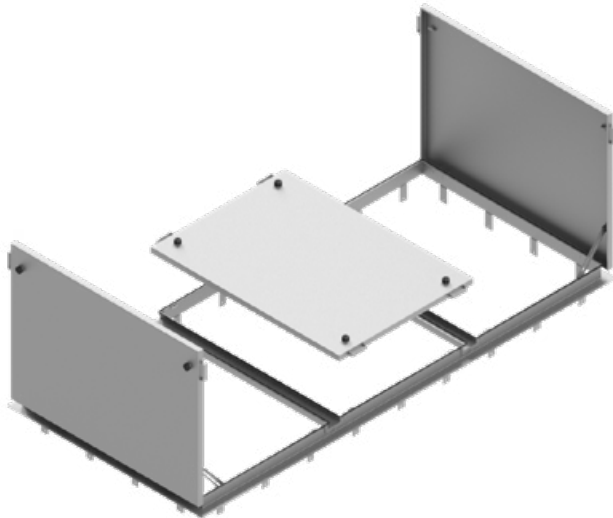
With gas lifters  
(the number of pieces depends on the size of access cover)

## 2-part Access Covers

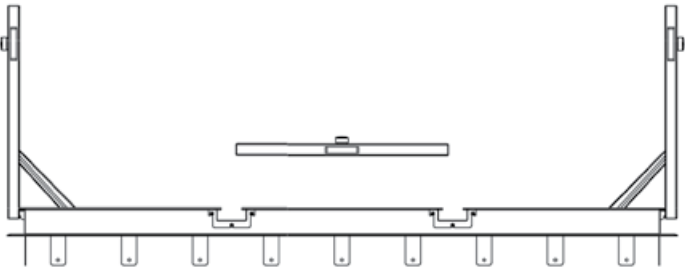


Type	A x B [mm]	C x D [mm]	E x F [mm]
WB-2 6x12	600 x 1200	626x684	743x1343
WB-2 8x16	800 x 1600	826x884	943x1743

# 3-part Access Covers



Type	A x B [mm]	C x D [mm]	E x F [mm]
WB-3 6x18	600 x 1800	505x684	743x1943
WB-3 8x24	800 x 2400	805x884	943x2543





**Drains Unlimited**  
**110 Post Road, Darien, CT06820**

**O | (833) 837-2467**

**E | [info@drains-unlimited.com](mailto:info@drains-unlimited.com)**