

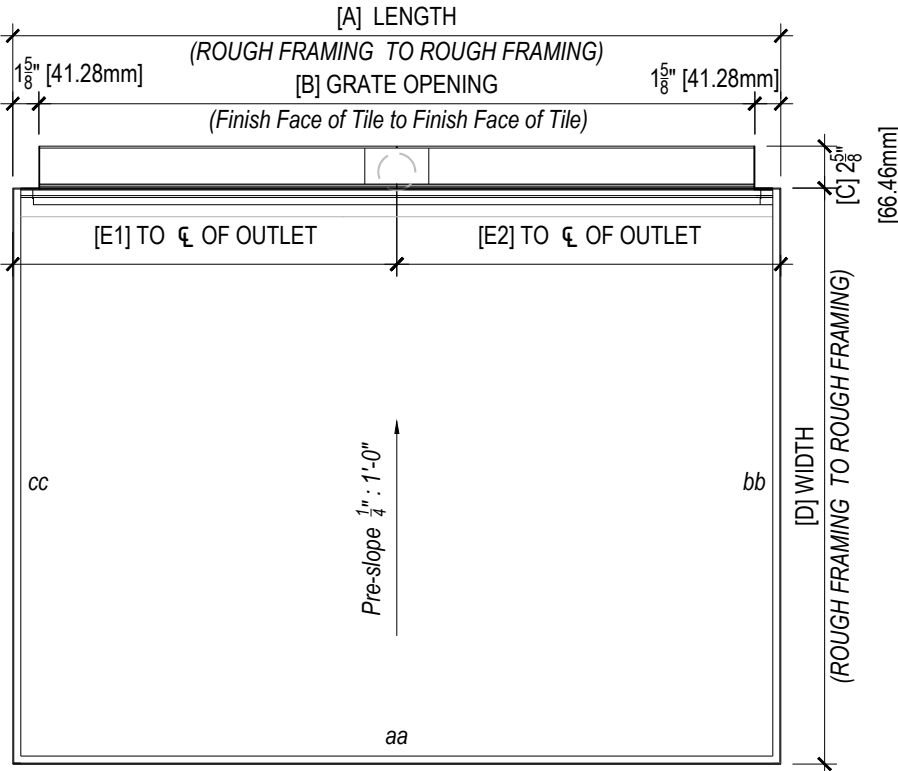
PROJECT: \_\_\_\_\_  
 LOCATION: \_\_\_\_\_  
 APPROVE BY: \_\_\_\_\_ DATE: \_\_\_\_\_

### PRODUCT ATTRIBUTES:

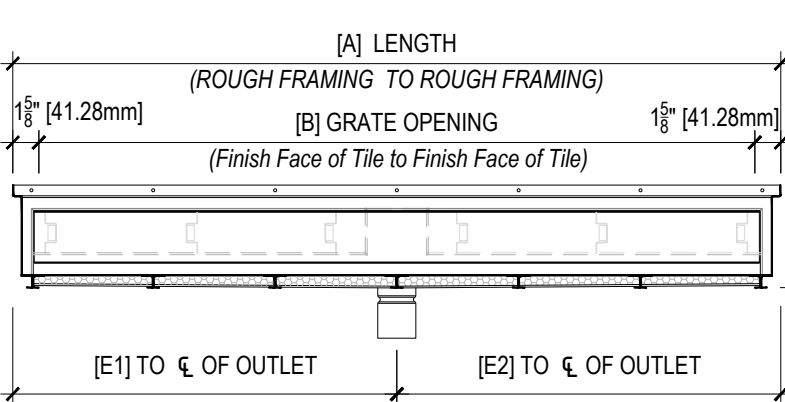
APPLICATION: Residential & Commercial  
 MATERIAL: Stainless Steel  
 MATERIAL SPEC: 14ga, AISI304 (\*316L)  
 PIPE SIZE: 2-3/8" O.D.  
 BODY TYPE: 'V'-Shape Bottom  
 CERTIFICATION: -  
 CERTIFICATION: -  
 MODEL SERIES: PNDUWR-TFZ

### OPTIONS

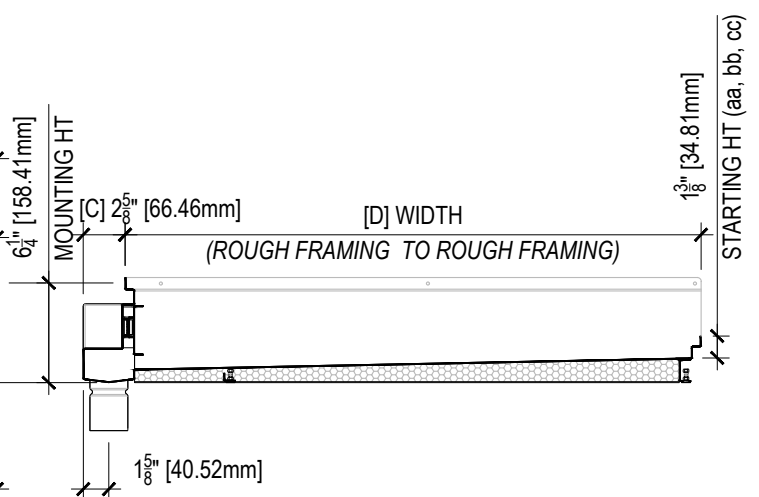
- \*\_\_\_\_\_: (aa) FRONT ENTRY 'BLANK FOR DEFAULT', (bb) RIGHT SIDE ENTRY, OR (cc) LEFT SIDE ENTRY.
- \*HZ\_\_\_\_\_: HORIZONTAL SIDE OUTLET (R) RIGHT OR (L) LEFT.
- \*SOR: SINGLE OFFSET OUTLET- \_\_\_\_\_" FOR THE (R)IGHT OUTSIDE EDGE OF CHANNEL
- \*SOL: SINGLE OFFSET OUTLET- \_\_\_\_\_" FOR THE (L)EFT OUTSIDE EDGE OF CHANNEL
- \*DOL: DOWEL OFFSET OUTLET- R\_\_\_\_\_ " FOR RIGHT EDGE & L\_\_\_\_\_ " FOR LEFT EDGE OF THE CHANNEL
- \*316: AISI316L STAINLESS STEEL



TOP VIEW

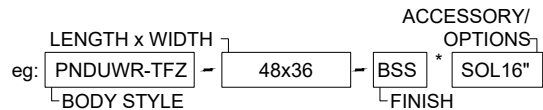


FRONT VIEW



SIDE VIEW

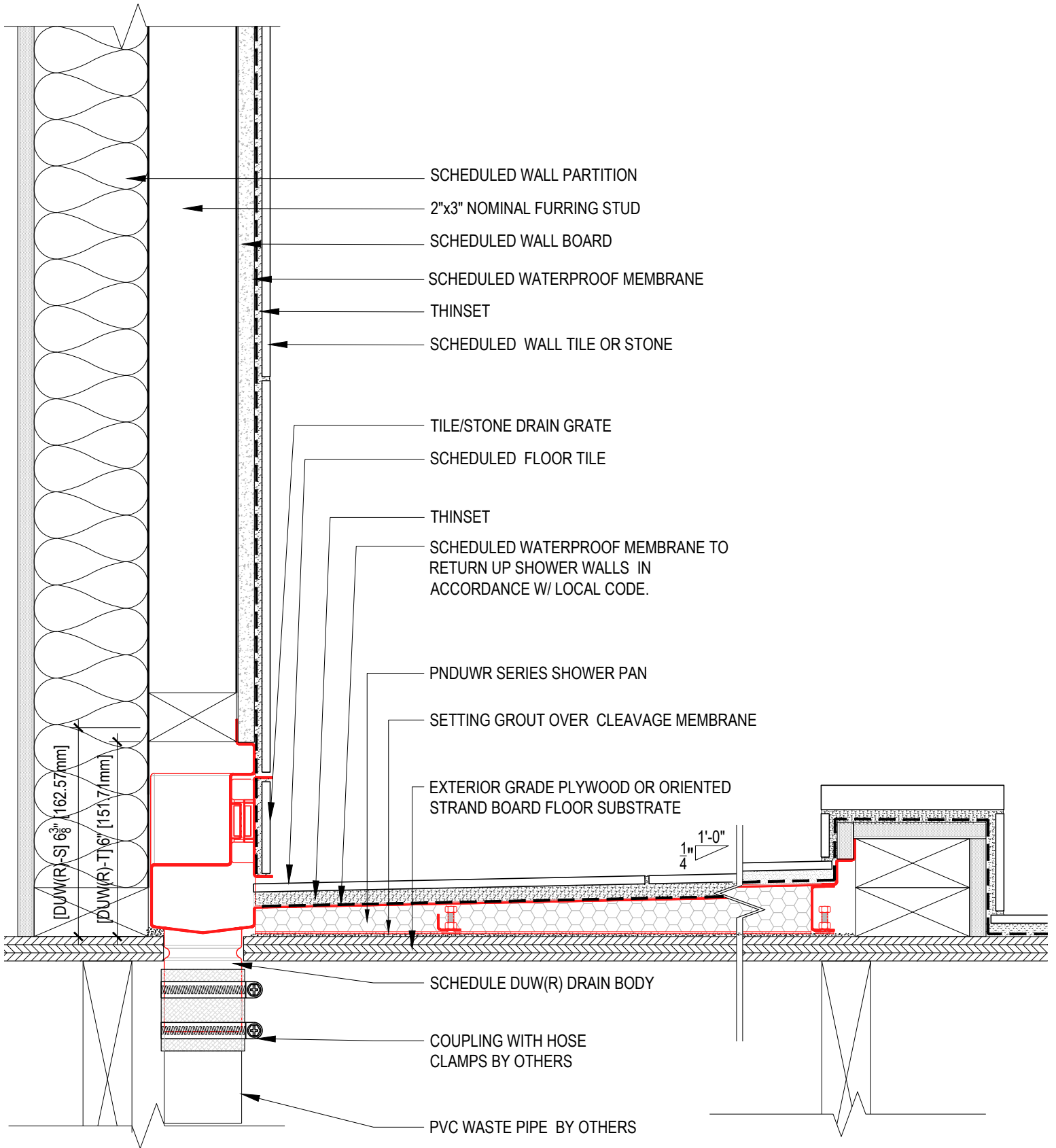
MODEL SPECIFICATION: DUWR-TFY- \_\_\_\_\_ x \_\_\_\_\_ \*



MODEL No.	LENGTH [A]	WIDTH [B]	CHANNEL WIDTH [C]	WIDTH [D]	OFFSET [E1]	OFFSET [E2]	OUTLET-Ø [G]	QTY.	FINISH
<input type="checkbox"/> <b>PNDUWR-TFZ</b> (Floor Tile Ready - Three Side Return Flange) *Ideal for wall to wall installation with 1/8" to 3/8" thick floor tiles*	_____	_____	2-5/8" [66.46]	_____	_____	_____	2-3/8" [60.00]	_____	<input type="checkbox"/> <b>BSS</b> - Brushed Stainless Steel

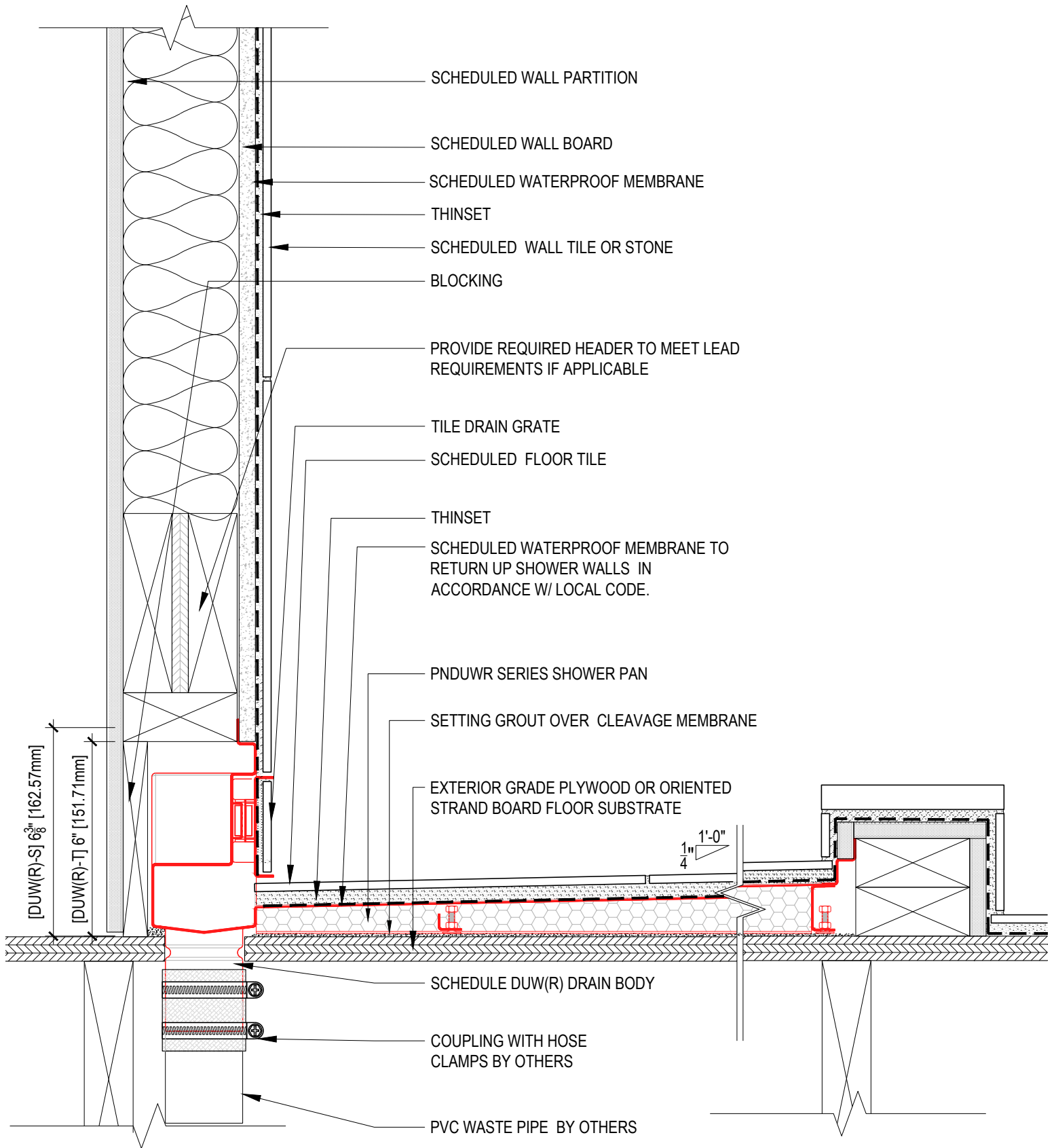
\*PATENT PENDING\*





**FURRED OUT WALL FRAME INSTALLATION**

\*PATENT PENDING\*



**HEADER WALL FRAME INSTALLATION**

\*PATENT PENDING\*