

PNMD1 SERIES PRE-SLOPED FOAM SHOWER BASE: MODEL SELECTION



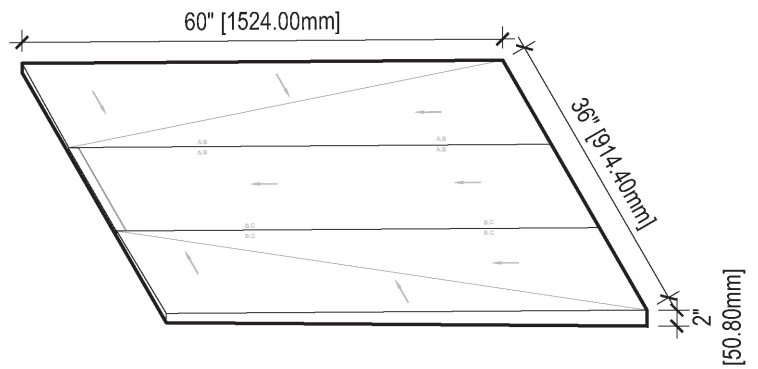
PNMD1- SHOWER BASE



12" DUW Series Wall Drain

PRE-SLOPED SHOWER BASE

PNMD1 pre-sloped shower base is a 3'-0" by 5'-0" three-way slope tray design that accommodates the 12" DUW Series Wall Recessed linear drain.



MODEL:

- PNMD1-3660** (Tray Only)
- PNMD1-3660-DUW-T12**
(Floor Tile (1/8" - 3/8" thick) Ready Drain & Tray Kit)
- PNMD1-3660-DUW-S12**
(Floor Slab (1/2" - 3/4" thick) Ready Drain & Tray Kit)