

DRAINS
UNLIMITED

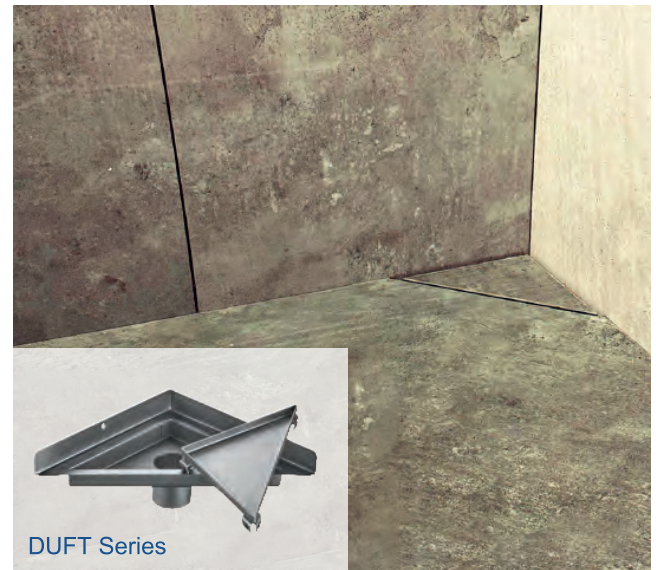
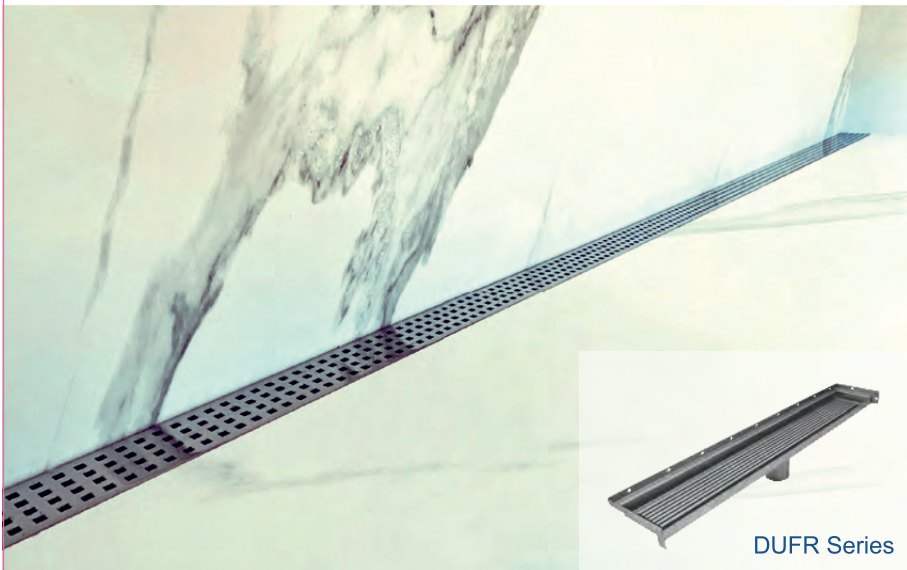
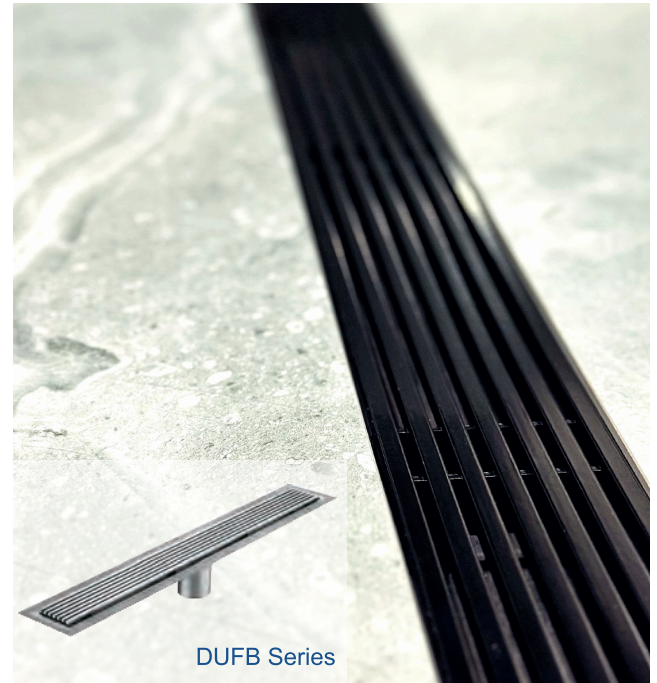


RESIDENTIAL & COMMERCIAL Product Catalog

INSPIRED DESIGN | HYGIENIC PERFORMANCE | BOLD STATEMENT

*DUW SERIES
Wall Recessed
Linear Drain*

*The home of the award winning **DUW Series** Wall Recessed Linear Drain,*



INDUSTRY APPLICATION

- Residential
- Hospitality
- Healthcare
- Assisted Living/ Senior Living
- Sports and Fitness
- Commercial
- Pharmaceutical
- Food/Retail

SPECIFICATION

- Stainless Steel AISI304 or 316L
- IAPMO Listed
- ASME A 112.18.2 ~(*Select Models*)
- CSA B 125.2 ~(*Select Models*)



C[®]

TABLE OF CONTENTS

SHOWER DRAINS

DUW Series: Wall Recessed Drain - Model Selection	6
DUW Series: Wall Recessed Drain - Data Sheet	7
DUW Series: Wall Recessed Drain - Model Listing	8
DUFB Series: Linear Floor Drain - Model Selection	12
DUFB Series: Linear Floor Drain - Data Sheet	13
DUFB Series: Linear Floor Drain - Model Listing	14
DUFR Series: Linear Floor Drain - Installation	18
DUFR Series: Linear Floor Drain - Model Selection	19
DUFR Series: Linear Floor Drain - Model Listing	20
DUFT Series: Corner Drain - Model Selection	25
DUFT Series: Corner Drain - Model Listing	26

SHOWER TRAY / PANS

PNMD1: Pre-sloped Shower tray for 12" Wall Drain	27
PNDUWR: Integrated Wall Drain & S.S. Shower Pan	28
PNDUFR: Integrated Linear Drain & S.S. Shower Pan	30

EXTERIOR DRAINS

DUXT Series: Exterior Trench Drain - Model Selection	33
DUXS Series: Exterior Slot Drain - Model Selection	34

Let your shower speak for itself

With a sleek minimalist design, **Drains Unlimited linear drains** are the perfect choice for any luxury shower installation. With a wide array of styles, sizes, and custom configurations to choose from, Drains Unlimited drains blend into their surroundings to preserve your shower's natural beauty.



Where form meets function

Whether it's the nearly-invisible DUW or the stylish DUFB & DUFR, Drains Unlimited drains are a perfect fit for any shower installation.

Don't spoil the beauty of an expensive tile or stone shower – preserve the beauty of your shower with a linear drain from Drains Unlimited. Combining a sleek, elegant look with cutting edge design, Drains Unlimited drains are easier to install, easier to clean and maintain, and more hygienic than any other linear drain on the market today.

Available in a wide variety of sizes or custom configurations to include full 360 degree radius, The DUW Series Wall Recessed linear drains are the perfect solution for every shower installation.

Add Innovation & design to your shower with **DRAINS** that blend into it's ambiance

Drains Unlimited DUW Series linear drains sit at the intersection of form and function. Thanks to rigorous research, development, and testing, DUW Series linear drains are the highest quality linear drains available on the market today. Our innovative design is hygienic, installer- and user-friendly, drains smooth and fast, all without spoiling your shower's natural beauty.



Innovation

Our innovative patented design is more hygienic, easier to install, and easier to maintain than any other linear drains on the market today.



Quality

Designed to last, made from the highest quality materials, and built to exacting standards for the best finished product possible.



Design

With minimalist profile that's nearly invisible once installed, Drains Unlimited linear drains are an elegant solution for any luxury shower installation.

DUWR (Side Wall Flanged)

Ideal for wall to wall installations



DUW (Flangeless)

Universal for most applications, especially ideal for curbed and curbless installation



DUW SERIES

WALL RECESSED LINEAR FLOOR DRAIN

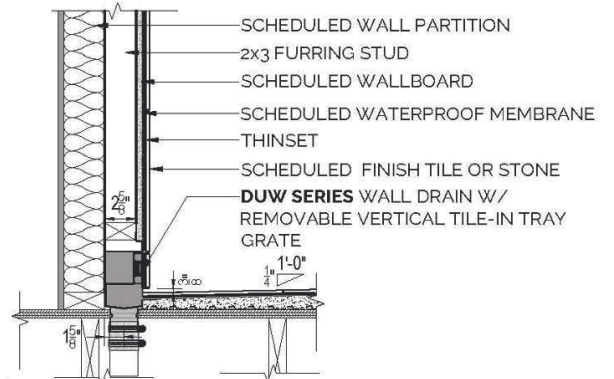


A drainage design where form truly meets function as the DUW series single body drain system provides a barrier-free channel which is **easy to install and maintain.**

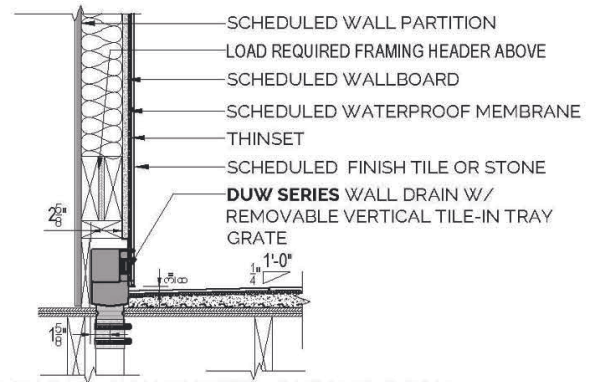
DUW SERIES INSTALLATION OPTIONS



DUW SERIES
Wall Recessed
Linear Drain

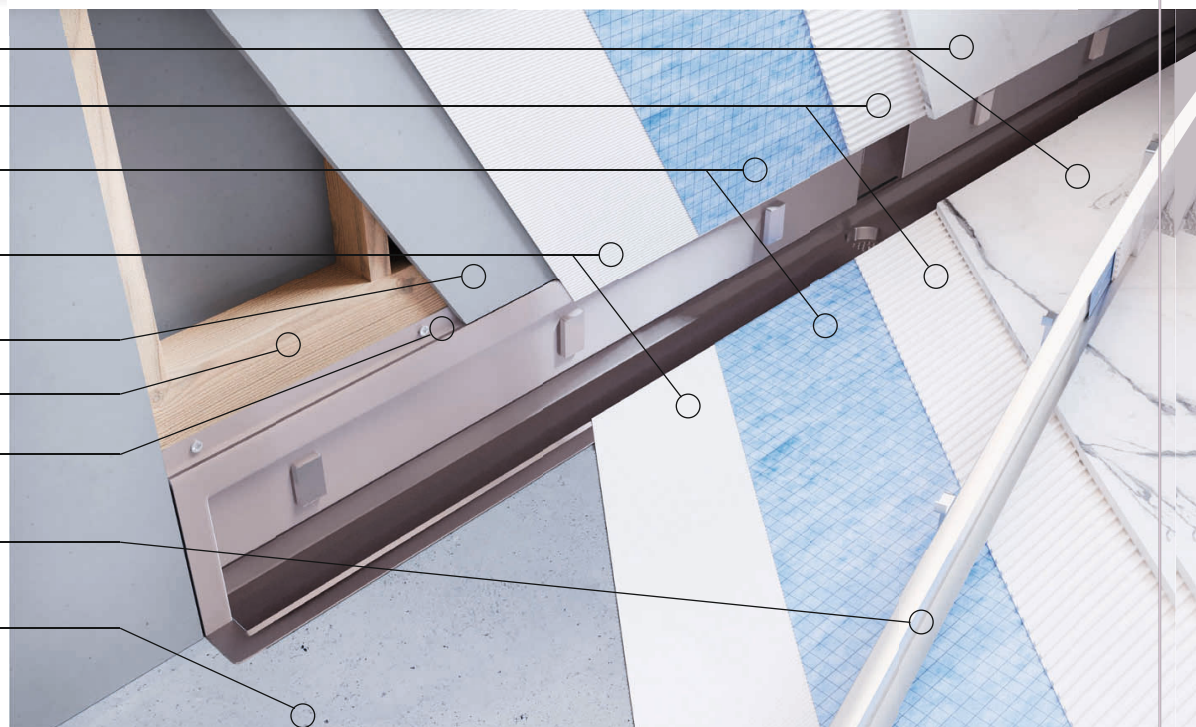


A FURRED OUT WALL/ BENCH INSTALLATION



B HEADER ABOVE WALL INSTALLATION

- Finish Tile or Stone
- Thinset
- Waterproofing membrane (sheet or liquid)
- Waterproof bonding material
- Wallboard
- Framing
- DUW mounting Flange
- Removable vertical Tile-In Tray Grate
- Pre-sloped mud-bed or tray



DUW SERIES MODEL SELECTION



DUW- (FLANGELESS)

Universal for most applications, especially ideal for curb and curbless installation



DUWR - (SIDE-WALL FLANGE)

Ideal for wall to wall installation

_____ - _____ - BSS * _____ (DUW-T-35-BSS)

RECESSED WALL LINEAR DRAIN

DUW Series is a one-of-a-kind wall recessed linear drain that is a single body low profile linear floor drain system specifically designed for a nearly invisible floor drain that is an easy installation and bonded waterproofing membrane. DUW Linear Drain is designed to accommodate large, small format tiles or stone installations in a shower with a single plane slope to the drain. The DUW linear drain is designed for commercial or residential projects and is intended for interior applications.


ADVANTAGES

- Single slope to drain
- Allows for the use of any size tile format
- Tile-In grate available to match surrounding tile
- Made from heavy-duty 304 austenitic stainless steel, which provides for long-lasting performance and corrosion resistance

SUITABLE SUBSTRATES

- Concrete
- Exterior Glue Plywood (Interior Only)
- Cement Backer Board
- Cement Mortar Bed
- Pre-sloped Foam Shower Pans

Full Length measured between finish face of wall boards

MODEL:	BODY STYLE:	LENGTH:	FINISH:
<input type="checkbox"/> DUW	<input type="checkbox"/> T - Floor TILE (1/8" TO 3/8") thk.	<input type="checkbox"/> 12 - 12" (30.48 CM)	<input checked="" type="checkbox"/>  BSS - Brushed Stainless Steel
<input type="checkbox"/> DUWR	<input type="checkbox"/> S - Floor SLAB (1/2" to 3/4") thk.	<input type="checkbox"/> 29 - 29" (73.66 CM)	
SPECIAL ORDER		<input type="checkbox"/> 31 - 31" (79.74 CM)	
<input type="checkbox"/> DUWCRV (Custom Radius Wall Recessed Linear Drain up to 360 degree wall Curvature)		<input type="checkbox"/> 33 - 33" (83.82 CM)	* CUSTOM OPTION:
		<input type="checkbox"/> 35 - 35" (88.90 CM)	<input type="checkbox"/> *SOR___ - Single (R)ight Offset Outlet from outside edge of the channel.
		<input type="checkbox"/> 39 - 39" (99.06 CM)	<input type="checkbox"/> *SOL___ - Single (L)eft Offset Outlet from outside edge of the channel.
		<input type="checkbox"/> 41 - 41" (104.14 CM)	<input type="checkbox"/> *DOR___L___ - Dual Offset Outlet from (R)ight edge and (L)eft edge of the channel.
		<input type="checkbox"/> 43 - 43" (109.22 CM)	<input type="checkbox"/> *HZS___ - Horizontal side outlet (R)-Right or (L)-Left
		<input type="checkbox"/> 47 - 47" (119.38 CM)	<input type="checkbox"/> *HZB - Horizontal back outlet
		<input type="checkbox"/> 53 - 53" (134.62 CM)	<input type="checkbox"/> * 316 - AISI316L Stainless Steel
		<input type="checkbox"/> 59 - 59" (149.86 CM)	
		<input type="checkbox"/> 65 - 65" (165.10 CM)	
		<input type="checkbox"/> 71 - 71" (180.34 CM)	
		<input type="checkbox"/> Custom Length (_____")	

ASME: A 112.18.2
 CSA: B 125.2
 PATENTED DESIGN
 US Patent Number 10,550,563
 D894.344
 10.697.168
 Canada Patent 187863.
 EUIPO 006316741-0001



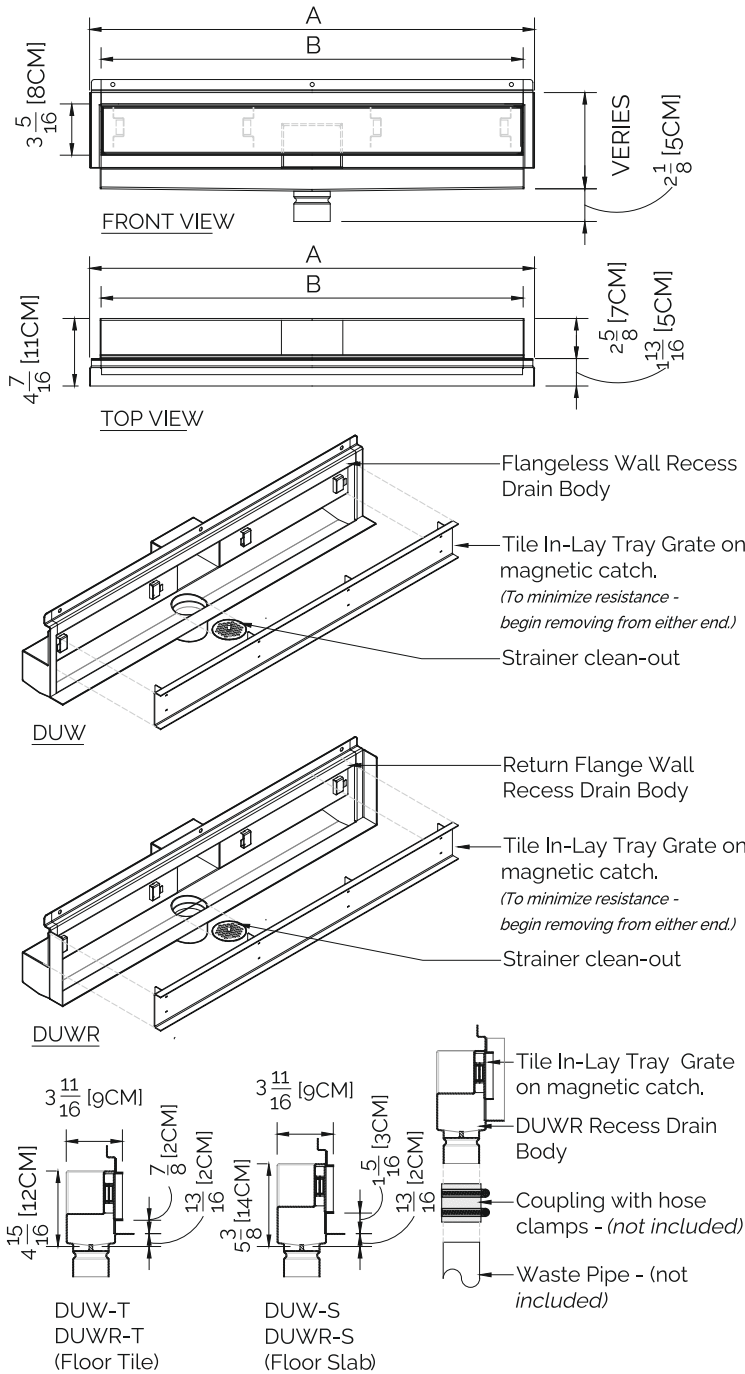
Note: 12" Drain body option is only available in the DUW - Flangeless models.

Data Sheets are subject to change without notice. For latest revision please contact Drains Unlimited, Inc.

DUW SERIES DATA SHEET

Data Sheets are subject to change without notice.
For latest revision please contact Drains Unlimited, Inc.

DUW- WALL RECESSED LINEAR FLOOR DRAIN



PRODUCT ATTRIBUTES

- Application: Commercial and Residential
- Color/Finish Category: Stainless Steel
- Color/Finish Name: Brushed Stainless Steel (BSS)
- Diameter: 2 in
- Drain Opening: 2 in
- Fits Pipe Size: 2 in
- Material: Stainless Steel
- Material Type: AISI-304 SS (AISI-316 available upon request)
- Specifications - ASME: ASME A 112.18.2
- Specifications - CSA Certified: B 125.2
- Specifications - GSA Approved: No
- Specifications - IAPMO Listed: Yes
- Specifications - NSF Certified: No
- Specifications - UL Listed: No
- Style Name: DUW, DUWR

DIMENSIONS IN INCHES AND CENTIMETERS

PRODUCT DESIGNATION	A	B
12	12" (30.48 CM)	10-1/2" (26.67 CM)
29	29" (73.66 CM)	27-1/2" (69.85 CM)
31	31" (79.74 CM)	29-1/2" (74.93 CM)
33	33" (83.82 CM)	31-1/2" (80.01 CM)
35	35" (88.90 CM)	33-1/2" (85.09 CM)
39	39" (99.06 CM)	37-1/2" (95.25 CM)
41	41" (104.14 CM)	39-1/2" (100.33 CM)
43	43" (109.22 CM)	41-1/2" (105.41 CM)
47	47" (119.38 CM)	45-1/2" (115.57 CM)
53	53" (134.62 CM)	51-1/2" (130.81 CM)
59	59" (149.86 CM)	57-1/2" (146.05 CM)
65	65" (165.10 CM)	63-1/2" (161.29 CM)
71	71" (180.34 CM)	69-1/2" (176.53 CM)

MAINTENANCE

The DUW drain system is made from durable, non-porous, hygienic, and rust-free stainless steel. Prior to cleaning, carefully remove the grate from either end of the drain using the extraction tool. Exposed surfaces of the DUW drain system may be cleaned and maintained using mild soaps and a soft cloth. DO NOT use any abrasive cleaners, scrubbing pads or allow household cleaning agents, such as Bleach, to sit on the drain cover for an extended period. Prolong exposure to road salt, sea salt, or chlorine may have caused "surface" rust, which can be removed using Barkeepers Friend®, Soft Scrub® with Bleach, or Steel Brite®. Always follow the manufactures directions on the container. Follow proper maintenance procedures to prevent excessive surface rust. In areas of frequent exposure to salt, chlorine, and other chemical compounds, maintenance of the stainless grates should be performed at least 2-3 times per year.

Installer must verify all rough-in dimensions prior to installation and consult local and national codes. Adherence and compliance to local and national codes are the responsibility of the installer

ASME: A 112.18.2
 CSA: B 125.2
 PATENTED DESIGN
 US Patent Number 10,550,563
 D894,344
 10,697,168
 Canada Patent 187863.
 EUIPO 006316741-0001



Data Sheets are subject to change without notice.
For latest revision please contact Drains Unlimited, Inc.



DUW SERIES

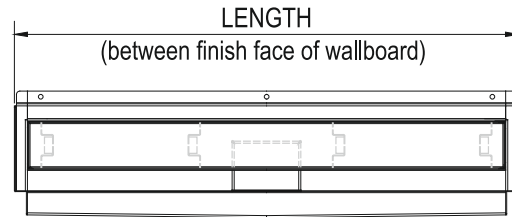
DUW- (FLANGELESS)



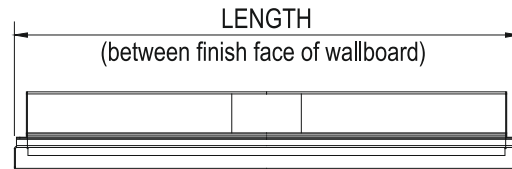
DUWR - (WALL FLANGE)



DUW- WALL RECESSED LINEAR FLOOR DRAIN



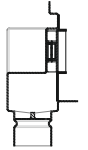
FRONT VIEW



TOP VIEW



DUW-T
DUWR-T
(1/8" - 3/8"
Floor Tile)



DUW-S
DUWR-S
(1/2" - 3/4"
Floor Slab)

DUW-T: FLANGELESS FOR FLOOR TILE APPLICATION

MODEL:	LENGTH:
DUW-T-12-BSS	12" (30.48 CM)
DUW-T-29-BSS	29" (73.66 CM)
DUW-T-31-BSS	31" (79.74 CM)
DUW-T-33-BSS	33" (83.82 CM)
DUW-T-35-BSS	35" (88.90 CM)
DUW-T-39-BSS	39" (99.06 CM)
DUW-T-41-BSS	41" (104.14 CM)
DUW-T-43-BSS	43" (109.22 CM)
DUW-T-47-BSS	47" (119.38 CM)
DUW-T-53-BSS	53" (134.62 CM)
DUW-T-59-BSS	59" (149.86 CM)
DUW-T-65-BSS	65" (165.10 CM)
DUW-T-71-BSS	71" (180.34 CM)

DUW-S: FLANGELESS FOR FLOOR SLAB APPLICATION

MODEL:	LENGTH:
DUW-S-12-BSS	12" (30.48 CM)
DUW-S-29-BSS	29" (73.66 CM)
DUW-S-31-BSS	31" (79.74 CM)
DUW-S-33-BSS	33" (83.82 CM)
DUW-S-35-BSS	35" (88.90 CM)
DUW-S-39-BSS	39" (99.06 CM)
DUW-S-41-BSS	41" (104.14 CM)
DUW-S-43-BSS	43" (109.22 CM)
DUW-S-47-BSS	47" (119.38 CM)
DUW-S-53-BSS	53" (134.62 CM)
DUW-S-59-BSS	59" (149.86 CM)
DUW-S-65-BSS	65" (165.10 CM)
DUW-S-71-BSS	71" (180.34 CM)

DUWR-T: FLANGED FOR FLOOR TILE APPLICATION

MODEL:	LENGTH:
DUWR-T-29-BSS	29" (73.66 CM)
DUWR-T-31-BSS	31" (79.74 CM)
DUWR-T-33-BSS	33" (83.82 CM)
DUWR-T-35-BSS	35" (88.90 CM)
DUWR-T-39-BSS	39" (99.06 CM)
DUWR-T-41-BSS	41" (104.14 CM)
DUWR-T-43-BSS	43" (109.22 CM)
DUWR-T-47-BSS	47" (119.38 CM)
DUWR-T-53-BSS	53" (134.62 CM)
DUWR-T-59-BSS	59" (149.86 CM)
DUWR-T-65-BSS	65" (165.10 CM)
DUWR-T-71-BSS	71" (180.34 CM)

DUWR-S: FLANGED FOR FLOOR SLAB APPLICATION

MODEL:	LENGTH:
DUWR-S-29-BSS	29" (73.66 CM)
DUWR-S-31-BSS	31" (79.74 CM)
DUWR-S-33-BSS	33" (83.82 CM)
DUWR-S-35-BSS	35" (88.90 CM)
DUWR-S-39-BSS	39" (99.06 CM)
DUWR-S-41-BSS	41" (104.14 CM)
DUWR-S-43-BSS	43" (109.22 CM)
DUWR-S-47-BSS	47" (119.38 CM)
DUWR-S-53-BSS	53" (134.62 CM)
DUWR-S-59-BSS	59" (149.86 CM)
DUWR-S-65-BSS	65" (165.10 CM)
DUWR-S-71-BSS	71" (180.34 CM)



DUW - Series
Below Floating Bench



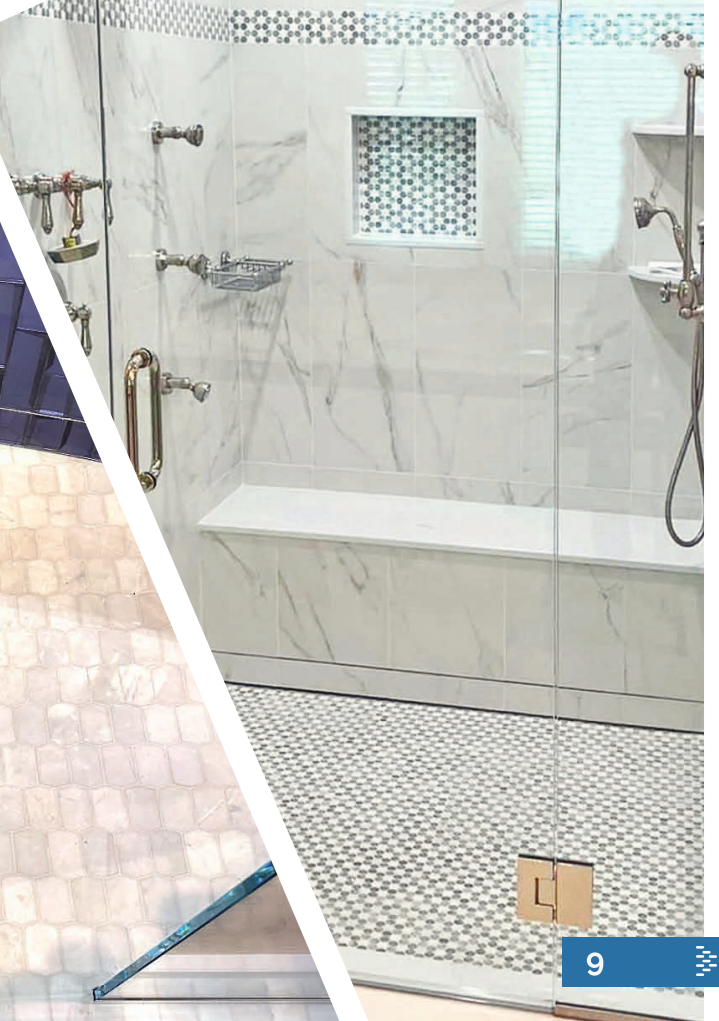
DUW - Series
On Wet Wall



DUW - Series
Inside Box Bench



Custom DUWCRV
'Radius' Wall Recess
Linear Drain





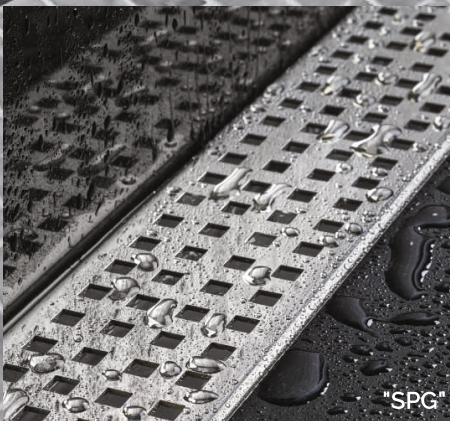
Let your
shower
speak for
itself



DUFB Series Linear Floor Drain

The DUFB Linear Floor Drain is designed to be a stylish addition to any single slope shower installation. Choose from a variety of grate styles, finishes, sizes, and custom configurations to find the ideal style, size, and finish combination to complement your shower's aesthetic.

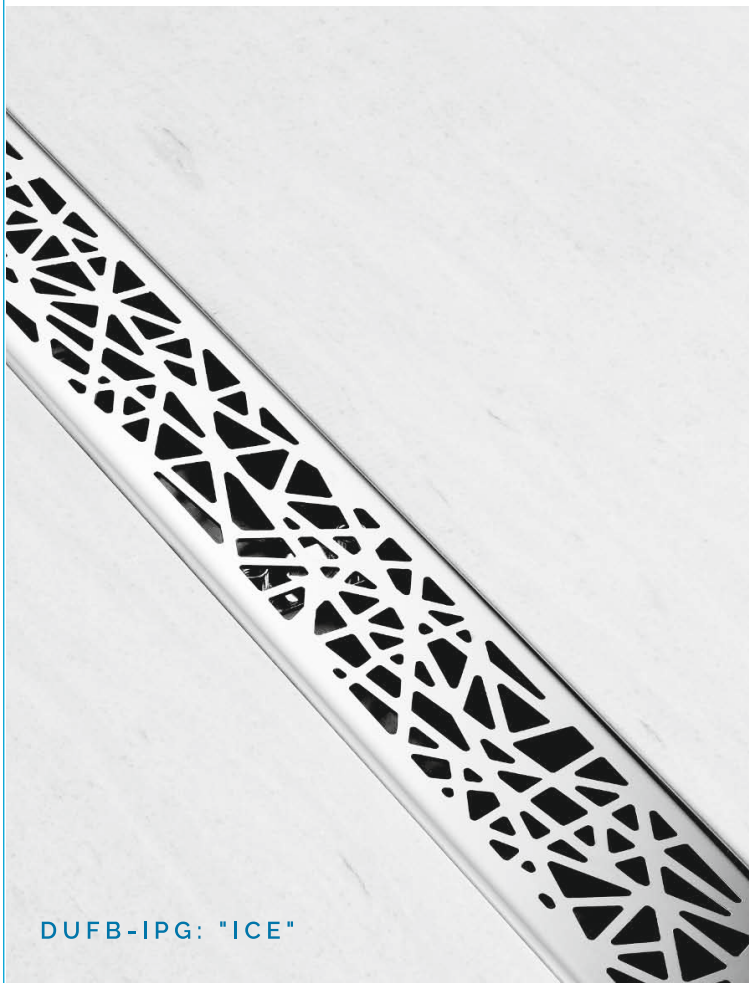
Made from heavy duty 304 stainless steel, The DUFB Linear Floor Drain is built to last. The textured flange assures a tight waterproof membrane seal, ensuring longevity and quality for years to come. The DUFB can be custom fabricated to accommodate any size format tile or slab, making it a perfect fit for any luxury shower.



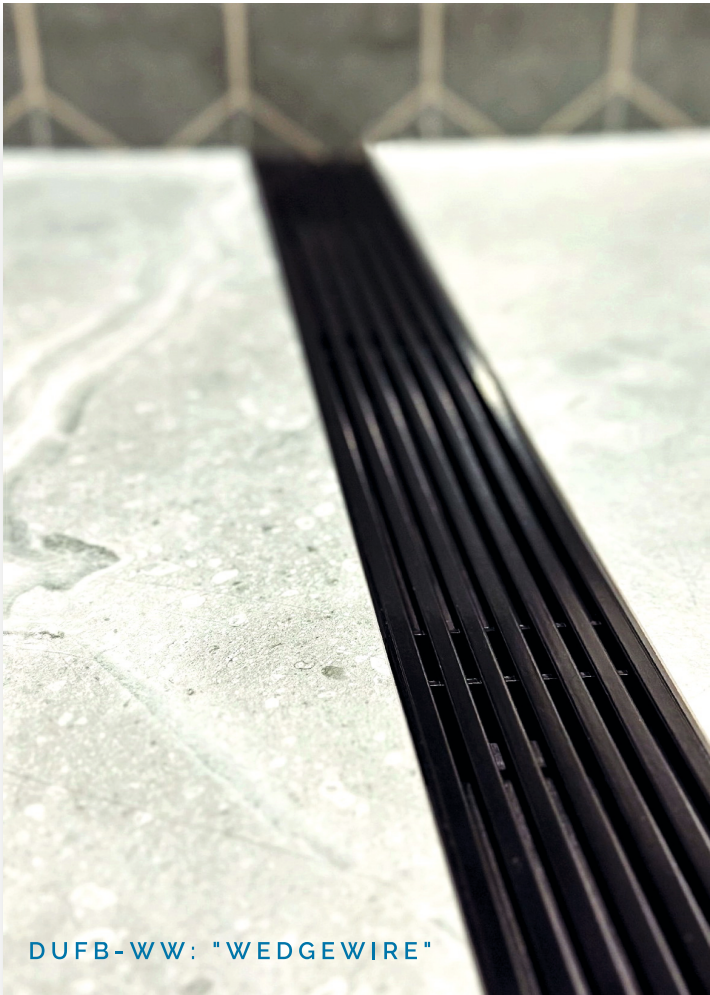
Drains Unlimited INC



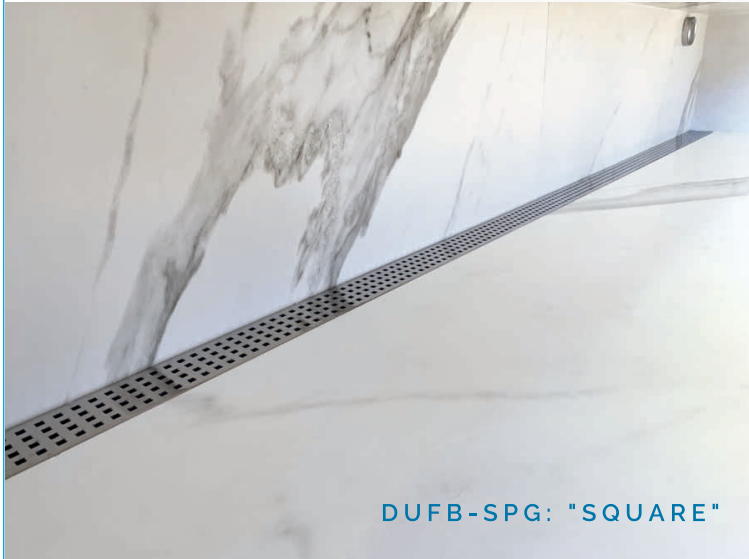
DUFB SERIES
LINEAR FLOOR DRAIN



DUFB-IPG: "ICE"



DUFB-WW: "WEDGEWIRE"



DUFB-SPG: "SQUARE"

DUFB SERIES - MODEL SELECTION



LINEAR FLOOR DRAIN

DUFB Series linear drain is a two-part low profile linear floor drain system specifically designed for easy installation and bonded waterproofing membrane. DUFB Linear Drain is designed to accommodate large, small format tiles or slab installations in a shower with a single plane slope to the drain. The DUFB linear drain is designed for commercial or residential projects and is intended for interior and exterior applications.

ADVANTAGES

- Single slope to drain
- Allows for the use of any size tile format tile
- Tile-in grate available to match floor tile
- Made from heavy duty 304 stainless steel provides for long-lasting performance
- Textured flange to ensure a tight waterproof membrane seal to the drain body

SUITABLE SUBSTRATES

- Concrete
- Exterior Glue Plywood (Interior Only)
- Cement Backer Board
- Cement Mortar Bed
- Pre-sloped Foam Shower Pans

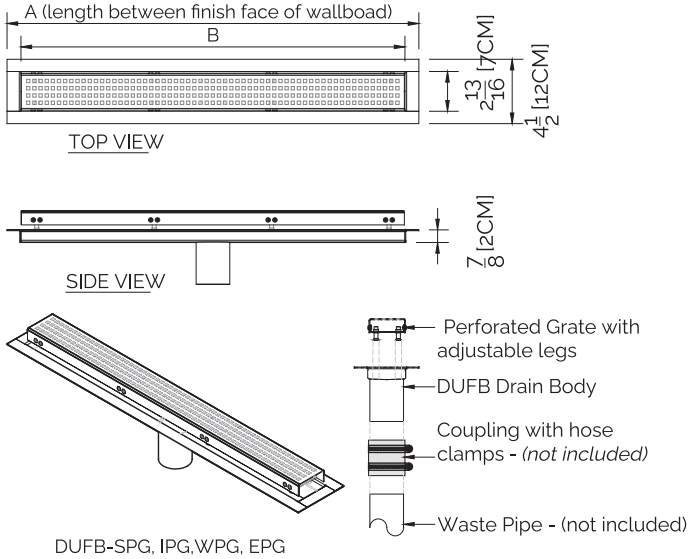
Model DUFB-____-____-____*____ eg.(DUFB-SPG-59-BSS)

Full length measured from the finish face of the wallboard

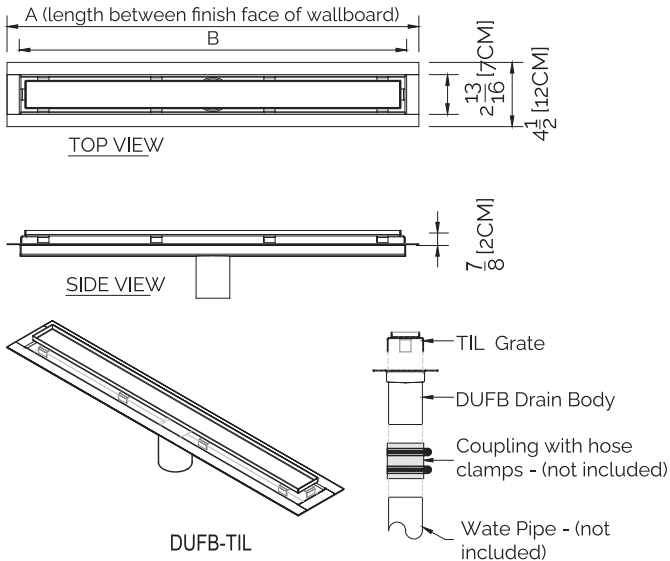
MODEL:	GRATE STYLE:	LENGTH:	FINISH:
<input checked="" type="checkbox"/> DUFB	<input type="checkbox"/> EPG - Earth Perforated <input type="checkbox"/> IPG - Ice Perforated <input type="checkbox"/> WPG - Weave Perforated <input type="checkbox"/> SPG - Square Perforated <input type="checkbox"/> TIL - Pietra Style (Tile in Tray) <input type="checkbox"/> WW - Wedgewire <input type="checkbox"/> CM - Custom Perforated (_____)	<input type="checkbox"/> 29 - 29" (74 CM) <input type="checkbox"/> 31 - 31" (79 CM) <input type="checkbox"/> 33 - 33" (84 CM) <input type="checkbox"/> 35 - 35" (89 CM) <input type="checkbox"/> 39 - 39" (99 CM) <input type="checkbox"/> 41 - 41" (104 CM) <input type="checkbox"/> 43 - 43" (109 CM) <input type="checkbox"/> 47 - 47" (119 CM) <input type="checkbox"/> 53 - 53" (135 CM) <input type="checkbox"/> 59 - 59" (150 CM) <input type="checkbox"/> 65 - 65" (165 CM) <input type="checkbox"/> 71 - 71" (180 CM) <input type="checkbox"/> Custom Length (_____)	<input type="checkbox"/> PSS - Polished Stainless Steel (All except TIL) <input type="checkbox"/> BSS - Brushed Stainless Steel (All) <input type="checkbox"/> BP - Black Powder Coated (SPG & WW Only) * CUSTOM OPTION: <input type="checkbox"/> *SOR__ - Single (R)ight Offset Outlet from outside edge of the channel. <input type="checkbox"/> *SOL__ - Single (L)eft Offset Outlet from outside edge of the channel. <input type="checkbox"/> *DOR__L__ - Dual Offset Outlet from (R)ight edge and (L)eft edge of the channel. <input type="checkbox"/> *316 - AISI316L Stainless Steel

DUFB SERIES - DATA SHEET

DUFB-PERFORATED LINEAR FLOOR DRAIN



DUFB-TIL LINEAR FLOOR DRAIN



PROUCT ATTRIBUTES

- Application: Commercial, Residential
- Color/Finish Category: Stainless Steel, Powder Coat
- Color/Finish Name: Polished, Brushed, Matte
- Diameter: 2 in
- Drain Opening: 2 in
- Fits Pipe Size: 2 in
- Material: Stainless Steel
- Material Type: AISI-304 (AISI-316 Available upon request)
- Specifications - ASME: ASME A 112.18.2
- Specifications - CSA Certified: B 125.2
- Specifications - GSA Approved: No
- Specifications - IAPMO Listed: Yes
- Specifications - NSF Certified: No
- Specifications - UL Listed: No
- Style Name: - SPG, IPG, WPG, EPG, WW, & TIL

DIMENSIONS IN INCHES AND CENTIMETERS

PRODUCT DESIGNATION	A	B
29	29" (74 CM)	27" (69 CM)
31	31" (79 CM)	29" (74 CM)
33	33" (84 CM)	31" (79 CM)
35	35" (89 CM)	33" (84 CM)
39	39" (99 CM)	37" (93 CM)
41	41" (104 CM)	39" (99 CM)
43	43" (109 CM)	41" (104 CM)
47	47" (119 CM)	45" (114 CM)
53	53" (135 CM)	51" (130 CM)
59	59" (150 CM)	57" (145 CM)
65	65" (165 CM)	63" (160 CM)
71	71" (180 CM)	69" (175 CM)
CM	CUSTOM	CUSTOM

MAINTENANCE

The DUFB drain system is made from durable, non-porous, hygienic and rust-free stainless steel. Exposed surfaces of the DUFB drain System may be cleaned and maintained using mild soaps and a soft cloth. DO NOT use any abrasive cleaners, scrubbing pads or allow household cleaning agents, such as bleach, to sit on the drain cover for an extended period. Prolong exposure to road salt, sea salt, or chlorine may have caused "surface" rust which can be removed using Barkeepers Friend®, Soft Scrub® with Bleach, or Steel Brite®. Always follow the manufactures directions on the container. Follow proper maintenance procedures to prevent excessive surface rust. In areas of frequent exposure to salt, chlorine, and other chemical compounds, maintenance of the stainless grates should be performed at least 2-3 times per year.

Installer must verify all rough-in dimensions prior to installation and consult local and national codes. Adherence and compliance to local and national codes are the responsibility of the installer

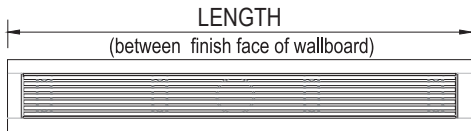


DUFB SERIES

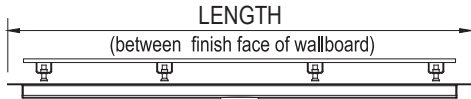
"WEDGEWIRE" - GRATES



DUFB - WW



DUFB-WW: TOP VIEW



SIDE VIEW



DUFB-WW: POLISHED STAINLESS STEEL

MODEL:	LENGTH:
DUFB-WW-29-PSS	29" (73.66 CM)
DUFB-WW-31-PSS	31" (79.74 CM)
DUFB-WW-33-PSS	33" (83.82 CM)
DUFB-WW-35-PSS	35" (88.90 CM)
DUFB-WW-39-PSS	39" (99.06 CM)
DUFB-WW-41-PSS	41" (104.14 CM)
DUFB-WW-43-PSS	43" (109.22 CM)
DUFB-WW-47-PSS	47" (119.38 CM)
DUFB-WW-53-PSS	53" (134.62 CM)
DUFB-WW-59-PSS	59" (149.86 CM)
DUFB-WW-65-PSS	65" (165.10 CM)
DUFB-WW-71-PSS	71" (180.34 CM)

DUFB-WW: BRUSHED STAINLESS STEEL

MODEL:	LENGTH:
DUFB-WW-29-BSS	29" (73.66 CM)
DUFB-WW-31-BSS	31" (79.74 CM)
DUFB-WW-33-BSS	33" (83.82 CM)
DUFB-WW-35-BSS	35" (88.90 CM)
DUFB-WW-39-BSS	39" (99.06 CM)
DUFB-WW-41-BSS	41" (104.14 CM)
DUFB-WW-43-BSS	43" (109.22 CM)
DUFB-WW-47-BSS	47" (119.38 CM)
DUFB-WW-53-BSS	53" (134.62 CM)
DUFB-WW-59-BSS	59" (149.86 CM)
DUFB-WW-65-BSS	65" (165.10 CM)
DUFB-WW-71-BSS	71" (180.34 CM)

DUFB-WW: BLACK POWDER COATED FINISH

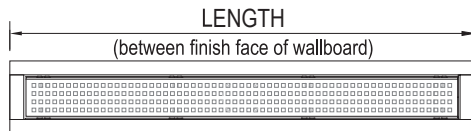
MODEL:	LENGTH:
DUFB-WW-29-BP	29" (73.66 CM)
DUFB-WW-31-BP	31" (79.74 CM)
DUFB-WW-33-BP	33" (83.82 CM)
DUFB-WW-35-BP	35" (88.90 CM)
DUFB-WW-39-BP	39" (99.06 CM)
DUFB-WW-41-BP	41" (104.14 CM)
DUFB-WW-43-BP	43" (109.22 CM)
DUFB-WW-47-BP	47" (119.38 CM)
DUFB-WW-53-BP	53" (134.62 CM)
DUFB-WW-59-BP	59" (149.86 CM)
DUFB-WW-65-BP	65" (165.10 CM)
DUFB-WW-71-BP	71" (180.34 CM)\$

DUFB SERIES

"SQUARE" - PERFORATED GRATES



DUFB - SPG



TOP VIEW



SIDE VIEW



DUFB-SPG: POLISHED STAINLESS STEEL FINISH

MODEL:	LENGTH:
DUFB-SPG-29-PSS	29" (73.66 CM)
DUFB-SPG-31-PSS	31" (79.74 CM)
DUFB-SPG-33-PSS	33" (83.82 CM)
DUFB-SPG-35-PSS	35" (88.90 CM)
DUFB-SPG-39-PSS	39" (99.06 CM)
DUFB-SPG-41-PSS	41" (104.14 CM)
DUFB-SPG-43-PSS	43" (109.22 CM)
DUFB-SPG-47-PSS	47" (119.38 CM)
DUFB-SPG-53-PSS	53" (134.62 CM)
DUFB-SPG-59-PSS	59" (149.86 CM)
DUFB-SPG-65-PSS	65" (165.10 CM)
DUFB-SPG-71-PSS	71" (180.34 CM)

DUFB-SPG: BRUSHED STAINLESS STEEL FINISH

MODEL:	LENGTH:
DUFB-SPG-29-BSS	29" (73.66 CM)
DUFB-SPG-31-BSS	31" (79.74 CM)
DUFB-SPG-33-BSS	33" (83.82 CM)
DUFB-SPG-35-BSS	35" (88.90 CM)
DUFB-SPG-39-BSS	39" (99.06 CM)
DUFB-SPG-41-BSS	41" (104.14 CM)
DUFB-SPG-43-BSS	43" (109.22 CM)
DUFB-SPG-47-BSS	47" (119.38 CM)
DUFB-SPG-53-BSS	53" (134.62 CM)
DUFB-SPG-59-BSS	59" (149.86 CM)
DUFB-SPG-65-BSS	65" (165.10 CM)
DUFB-SPG-71-BSS	71" (180.34 CM)

DUFB-SPG: BLACK POWDER COATED FINISH

MODEL:	LENGTH:
DUFB-SPG-29-BP	29" (73.66 CM)
DUFB-SPG-31-BP	31" (79.74 CM)
DUFB-SPG-33-BP	33" (83.82 CM)
DUFB-SPG-35-BP	35" (88.90 CM)
DUFB-SPG-39-BP	39" (99.06 CM)
DUFB-SPG-41-BP	41" (104.14 CM)
DUFB-SPG-43-BP	43" (109.22 CM)
DUFB-SPG-47-BP	47" (119.38 CM)
DUFB-SPG-53-BP	53" (134.62 CM)
DUFB-SPG-59-BP	59" (149.86 CM)
DUFB-SPG-65-BP	65" (165.10 CM)
DUFB-SPG-71-BP	71" (180.34 CM)



Limited stock and custom order items; please contact for availability and lead times

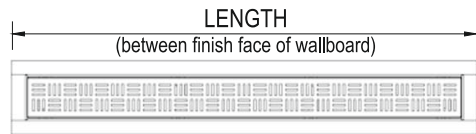


DUFB SERIES

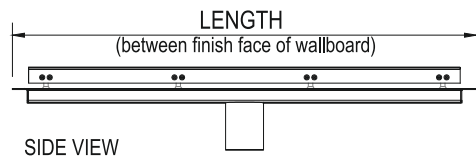
"EARTH" - PERFORATED GRATES



DUFB - EPG



TOP VIEW

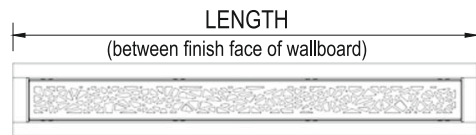


SIDE VIEW

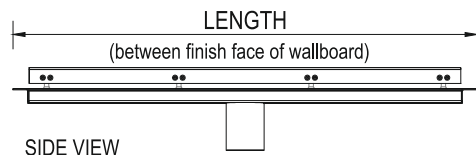
"ICE" - PERFORATED GRATES



DUFB - IPG



TOP VIEW



SIDE VIEW

DUFB-EPG: POLISHED STAINLESS STEEL FINISH

MODEL:	LENGTH:
DUFB-EPG-29-PSS	29" (73.66 CM)
DUFB-EPG-31-PSS	31" (79.74 CM)
DUFB-EPG-33-PSS	33" (83.82 CM)
DUFB-EPG-35-PSS	35" (88.90 CM)
DUFB-EPG-39-PSS	39" (99.06 CM)
DUFB-EPG-41-PSS	41" (104.14 CM)
DUFB-EPG-43-PSS	43" (109.22 CM)
DUFB-EPG-47-PSS	47" (119.38 CM)
DUFB-EPG-53-PSS	53" (134.62 CM)
DUFB-EPG-59-PSS	59" (149.86 CM)
DUFB-EPG-65-PSS	65" (165.10 CM)
DUFB-EPG-71-PSS	71" (180.34 CM)



DUFB-EPG: BRUSHED STAINLESS STEEL FINISH

MODEL:	LENGTH:
DUFB-EPG-29-BSS	29" (73.66 CM)
DUFB-EPG-31-BSS	31" (79.74 CM)
DUFB-EPG-33-BSS	33" (83.82 CM)
DUFB-EPG-35-BSS	35" (88.90 CM)
DUFB-EPG-39-BSS	39" (99.06 CM)
DUFB-EPG-41-BSS	41" (104.14 CM)
DUFB-EPG-43-BSS	43" (109.22 CM)
DUFB-EPG-47-BSS	47" (119.38 CM)
DUFB-EPG-53-BSS	53" (134.62 CM)
DUFB-EPG-59-BSS	59" (149.86 CM)
DUFB-EPG-65-BSS	65" (165.10 CM)
DUFB-EPG-71-BSS	71" (180.34 CM)



DUFB-IPG: POLISHED STAINLESS STEEL FINISH

MODEL:	LENGTH:
DUFB-IPG-29-PSS	29" (73.66 CM)
DUFB-IPG-31-PSS	31" (79.74 CM)
DUFB-IPG-33-PSS	33" (83.82 CM)
DUFB-IPG-35-PSS	35" (88.90 CM)
DUFB-IPG-39-PSS	39" (99.06 CM)
DUFB-IPG-41-PSS	41" (104.14 CM)
DUFB-IPG-43-PSS	43" (109.22 CM)
DUFB-IPG-47-PSS	47" (119.38 CM)
DUFB-IPG-53-PSS	53" (134.62 CM)
DUFB-IPG-59-PSS	59" (149.86 CM)
DUFB-IPG-65-PSS	65" (165.10 CM)
DUFB-IPG-71-PSS	71" (180.34 CM)



DUFB-IPG: BRUSHED STAINLESS STEEL FINISH

MODEL:	LENGTH:
DUFB-IPG-29-BSS	29" (73.66 CM)
DUFB-IPG-31-BSS	31" (79.74 CM)
DUFB-IPG-33-BSS	33" (83.82 CM)
DUFB-IPG-35-BSS	35" (88.90 CM)
DUFB-IPG-39-BSS	39" (99.06 CM)
DUFB-IPG-41-BSS	41" (104.14 CM)
DUFB-IPG-43-BSS	43" (109.22 CM)
DUFB-IPG-47-BSS	47" (119.38 CM)
DUFB-IPG-53-BSS	53" (134.62 CM)
DUFB-IPG-59-BSS	59" (149.86 CM)
DUFB-IPG-65-BSS	65" (165.10 CM)
DUFB-IPG-71-BSS	71" (180.34 CM)

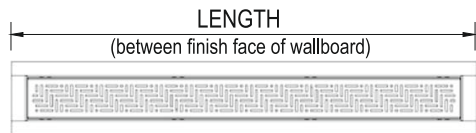


DUFB SERIES

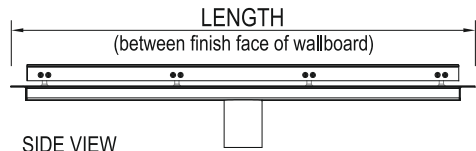
"WEAVE" - PERFORATED GRATES



DUFB-WPG

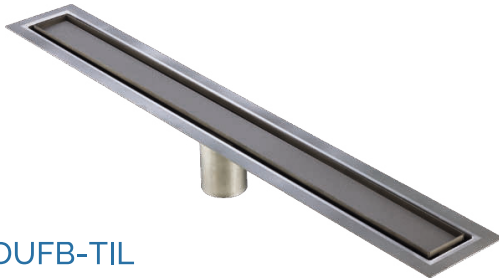


TOP VIEW

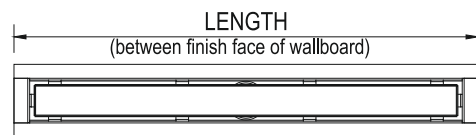


SIDE VIEW

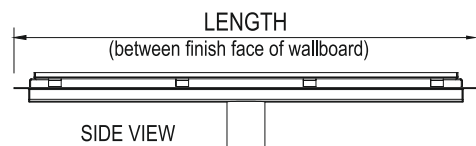
"TILE-IN" - TRAY GRATES



DUFB-TIL



DUFB-TIL: TOP VIEW



SIDE VIEW

DUFB-WPG: POLISHED STAINLESS STEEL FINISH

MODEL:	LENGTH:
DUFB-WPG-29-PSS	29" (73.66 CM)
DUFB-WPG-31-PSS	31" (79.74 CM)
DUFB-WPG-33-PSS	33" (83.82 CM)
DUFB-WPG-35-PSS	35" (88.90 CM)
DUFB-WPG-39-PSS	39" (99.06 CM)
DUFB-WPG-41-PSS	41" (104.14 CM)
DUFB-WPG-43-PSS	43" (109.22 CM)
DUFB-WPG-47-PSS	47" (119.38 CM)
DUFB-WPG-53-PSS	53" (134.62 CM)
DUFB-WPG-59-PSS	59" (149.86 CM)
DUFB-WPG-65-PSS	65" (165.10 CM)
DUFB-WPG-71-PSS	71" (180.34 CM)



DUFB-WPG: BRUSHED STAINLESS STEEL FINISH

MODEL:	LENGTH:
DUFB-WPG-29-BSS	29" (73.66 CM)
DUFB-WPG-31-BSS	31" (79.74 CM)
DUFB-WPG-33-BSS	33" (83.82 CM)
DUFB-WPG-35-BSS	35" (88.90 CM)
DUFB-WPG-39-BSS	39" (99.06 CM)
DUFB-WPG-41-BSS	41" (104.14 CM)
DUFB-WPG-43-BSS	43" (109.22 CM)
DUFB-WPG-47-BSS	47" (119.38 CM)
DUFB-WPG-53-BSS	53" (134.62 CM)
DUFB-WPG-59-BSS	59" (149.86 CM)
DUFB-WPG-65-BSS	65" (165.10 CM)
DUFB-WPG-71-BSS	71" (180.34 CM)



DUFB-TIL: BRUSHED STAINLESS STEEL FINISH

MODEL:	LENGTH:
DUFB-TIL-29-BSS	29" (73.66 CM)
DUFB-TIL-31-BSS	31" (79.74 CM)
DUFB-TIL-33-BSS	33" (83.82 CM)
DUFB-TIL-35-BSS	35" (88.90 CM)
DUFB-TIL-39-BSS	39" (99.06 CM)
DUFB-TIL-41-BSS	41" (104.14 CM)
DUFB-TIL-43-BSS	43" (109.22 CM)
DUFB-TIL-47-BSS	47" (119.38 CM)
DUFB-TIL-53-BSS	53" (134.62 CM)
DUFB-TIL-59-BSS	59" (149.86 CM)
DUFB-TIL-65-BSS	65" (165.10 CM)
DUFB-TIL-71-BSS	71" (180.34 CM)



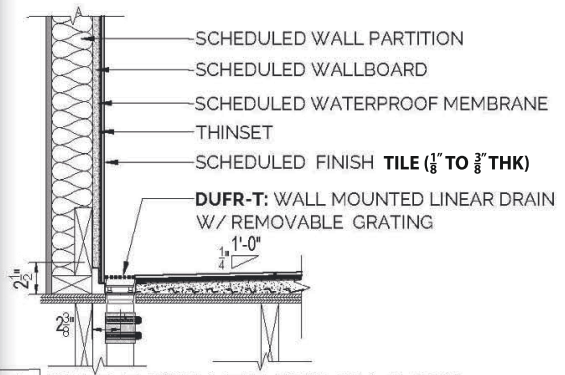
Limited stock and custom order items; please contact for availability and lead times



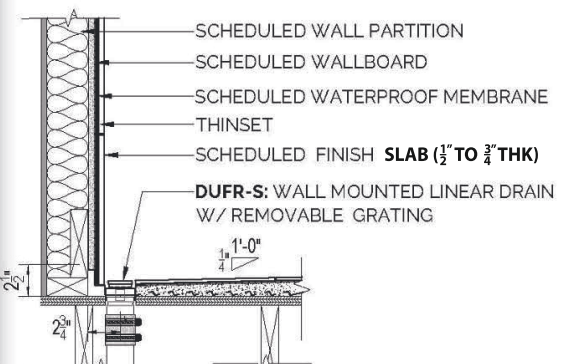
DUFR SERIES: WALL MOUNTED LINEAR FLOOR DRAIN INSTALLATION OPTIONS



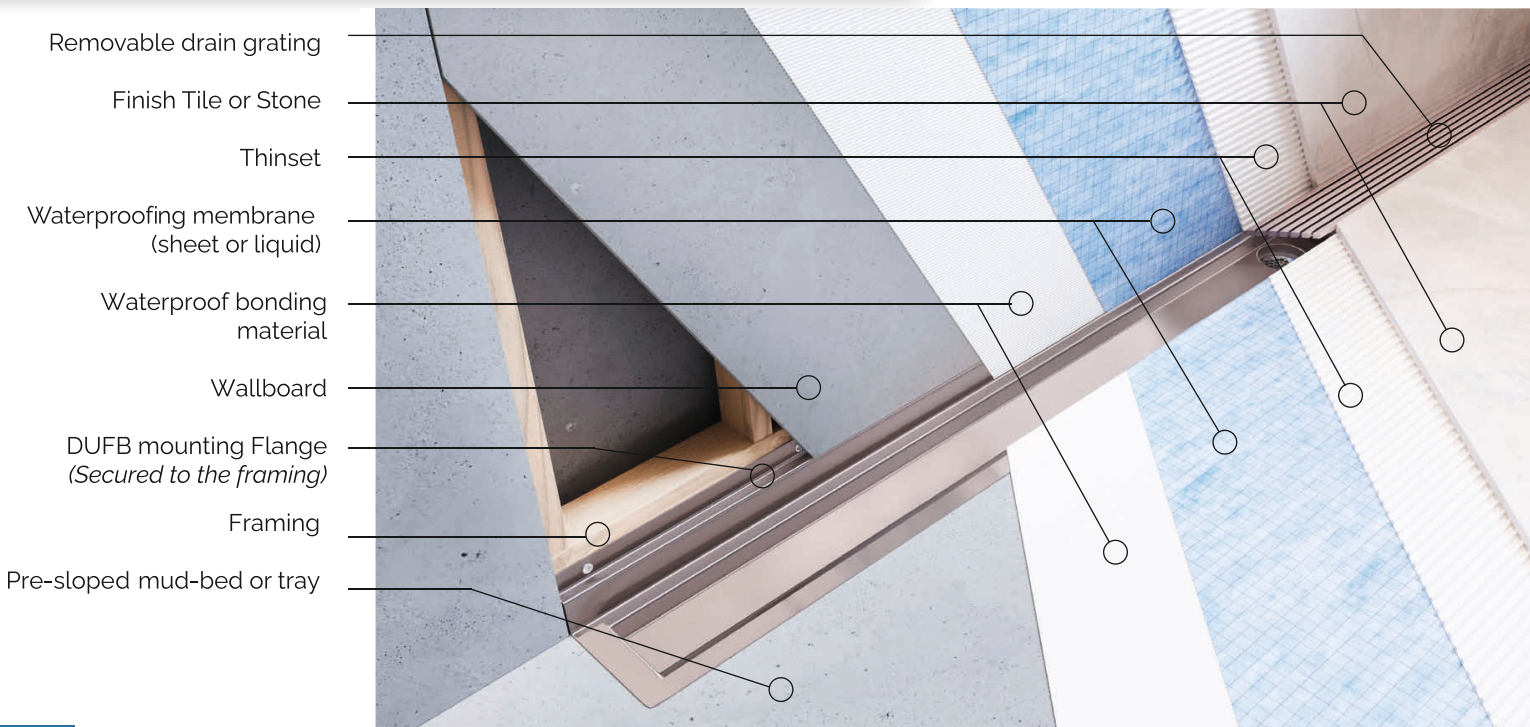
DUFR SERIES
Wall Mounted
Linear Drain



A DUFR-T: WALL TILE INSTALLATION



B DUFR-S: WALL SLAB INSTALLATION
(SPECIAL ORDER ONLY)



DUFR SERIES - MODEL SELECTION



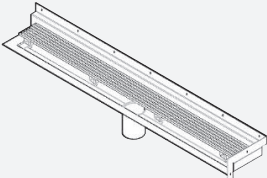
DUFR-TF: (Tile Ready - Three Side Return Flange) *'Ideal for wall to wall installation with 1/8" to 3/8" thick wall tile'*



DUFR-TN: (Tile Ready - Backwall Return Flange Only) *'Ideal for curbed or curbless installation with 1/8" to 3/8" thick wall tile'*

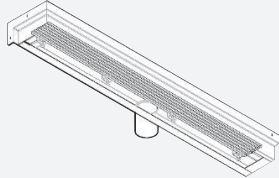
SPECIAL ORDER ONLY

DUFR-SF: (Slab Ready - Three Side Return Flange) *'Ideal for wall to wall installation with 1/2" to 3/4" thick wall slab'*



DUFR-TR: (Tile Ready - Right side & Backwall Return Flange) *'Ideal for right wall to curbed or curbless installation with 1/8" to 3/8" thick wall tile'*

DUFR-SN: (Slab Ready - Backwall Return Flange Only) *'Ideal for curbed or curbless installation with 1/2" to 3/4" thick wall slab.'*



DUFR-TL: (Tile Ready - Left side & Backwall Return Flange) *'Ideal for left wall to curbed or curbless installation with 1/8" to 3/8" thick wall tile'*

DUFR-SR: (Slab Ready - Right side & Backwall Return Flange) *'Ideal for right wall to curbed or curbless installation with 1/2" to 3/4" thick wall slab'*

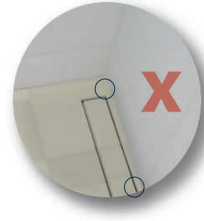
DUFR-SL: (Slab Ready - Left side & Backwall Return Flange) *'Ideal for left wall to curbed or curbless installation with 1/2" to 3/4" thick wall slab'*

Model DUFR- _ - _ - _ - _ * _____ eg.(DUFR-TF-SPG-66-BSS)

Full length measured between finish face of framing

WALL MOUNTED LINEAR FLOOR DRAIN

The DUFR Series of linear drains are designed to meet the classic appeal of the traditional linear drain with the added benefit of close wall installation.



This is achieved with its innovative wall-mounted design, which eliminates the strip of tile between the back wall and the drain, typically requiring bonding the waterproofing or the need to float the finish tile for the same aesthetic appeal.



Installed flush with wall (s) for a clean finished seamless look.

ADVANTAGES

- Single slope to drain.
- Allows for the use of any size tile format tile.
- Tile-in grate available to match floor tile.
- Made from heavy duty 304 austenitic stainless steel, which provides for long-lasting performance & corrosion resistance.
- Textured flange ensures a strong bond between the waterproof membrane and the drain body.

SUITABLE SUBSTRATES

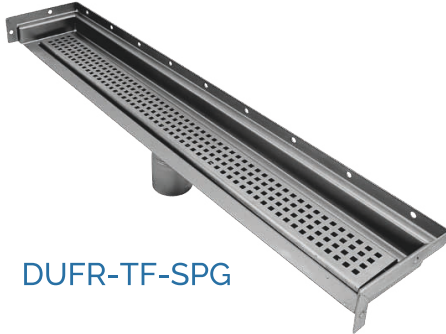
- Concrete
- Exterior Glue
- Plywood (Interior Only) Cement
- Backer Board
- Cement Mortar Bed Shower Pans

MODEL:	GRATE STYLE:	LENGTH:	FINISH:
<input type="checkbox"/> DUFR-TF	<input type="checkbox"/> SPG - Square Perforated	<input type="checkbox"/> 30 - 30" (76 CM)	<input type="checkbox"/> PSS- Polished Stainless Steel (All except TIL)
<input type="checkbox"/> DUFR-TN	<input type="checkbox"/> TIL - Pietra Style (Tile-In Tray)	<input type="checkbox"/> 32 - 32" (81 CM)	<input type="checkbox"/> BSS- Brushed Stainless Steel (All)
SPECIAL ORDER	<input type="checkbox"/> WW - Wedgewire	<input type="checkbox"/> 34 - 34" (86 CM)	<input type="checkbox"/> BP- Black Powder Coated (SPG & WW Only)
<input type="checkbox"/> DUFR-SF		<input type="checkbox"/> 36 - 36" (91 CM)	* CUSTOM OPTION:
<input type="checkbox"/> DUFR-SN	SPG "Square" Perforated Grate	<input type="checkbox"/> 40 - 40" (102 CM)	
<input type="checkbox"/> DUFR-TR		<input type="checkbox"/> 42 - 42" (107 CM)	<input type="checkbox"/> *SOR___ - Single (R)ight Offset Outlet from outside edge of the channel.
<input type="checkbox"/> DUFR-SR	TIL: "Tile-In Tray" Grate	<input type="checkbox"/> 44 - 44" (112 CM)	<input type="checkbox"/> *SOL___ - Single (L)eft Offset Outlet from outside edge of the channel.
<input type="checkbox"/> DUFR-TL		<input type="checkbox"/> 48 - 48" (123 CM)	<input type="checkbox"/> *DOR___L___ - Dual Offset Outlet from (R)ight edge and (L)eft edge of the channel.
<input type="checkbox"/> DUFR-SL	WW "WedgeWire" Grate	<input type="checkbox"/> 54 - 54" (137 CM)	<input type="checkbox"/> *316 - AISI316L Stainless Steel
		<input type="checkbox"/> 60 - 60" (152 CM)	
		<input type="checkbox"/> 66 - 66" (168 CM)	
		<input type="checkbox"/> 72 - 72" (183 CM)	
		<input type="checkbox"/> ___ - ___" Custom	

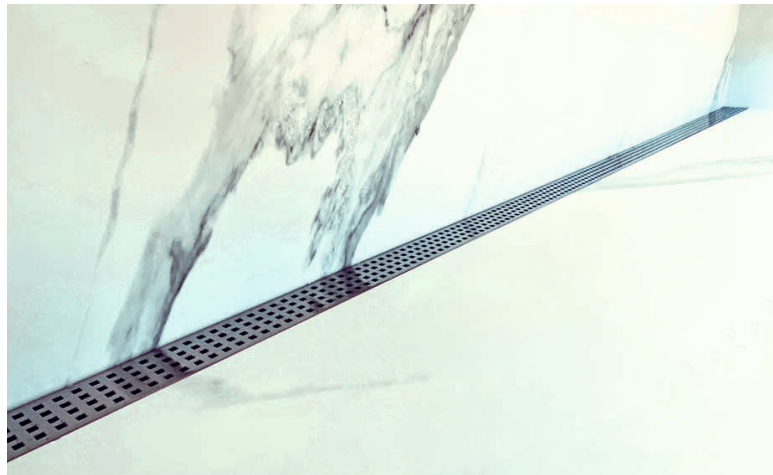
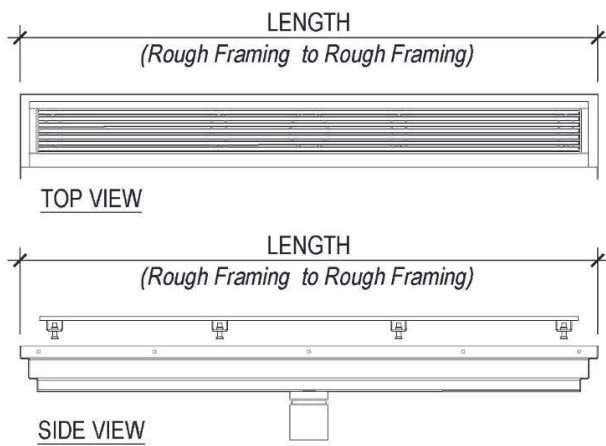


DUFR- TF: SERIES

"SQUARE" - PERFORATED GRATES



DUFR-TF-SPG



DUFR-TF-SPG: POLISHED STAINLESS STEEL

MODEL:	LENGTH:
DUFR-TF-SPG-30-PSS	30" (76.20 CM)
DUFR-TF-SPG-32-PSS	32" (81.28 CM)
DUFR-TF-SPG-34-PSS	34" (86.36 CM)
DUFR-TF-SPG-36-PSS	36" (91.44 CM)
DUFR-TF-SPG-40-PSS	40" (101.60 CM)
DUFR-TF-SPG-42-PSS	42" (106.68 CM)
DUFR-TF-SPG-44-PSS	44" (111.76 CM)
DUFR-TF-SPG-48-PSS	48" (121.92 CM)
DUFR-TF-SPG-54-PSS	54" (137.16 CM)
DUFR-TF-SPG-60-PSS	60" (152.40 CM)
DUFR-TF-SPG-66-PSS	66" (167.64 CM)
DUFR-TF-SPG-72-PSS	72" (182.88 CM)

DUFR-TF-SPG: BRUSHED STAINLESS STEEL

MODEL:	LENGTH:
DUFR-TF-SPG-30-BSS	30" (76.20 CM)
DUFR-TF-SPG-32-BSS	32" (81.28 CM)
DUFR-TF-SPG-34-BSS	34" (86.36 CM)
DUFR-TF-SPG-36-BSS	36" (91.44 CM)
DUFR-TF-SPG-40-BSS	40" (101.60 CM)
DUFR-TF-SPG-42-BSS	42" (106.68 CM)
DUFR-TF-SPG-44-BSS	44" (111.76 CM)
DUFR-TF-SPG-48-BSS	48" (121.92 CM)
DUFR-TF-SPG-54-BSS	54" (137.16 CM)
DUFR-TF-SPG-60-BSS	60" (152.40 CM)
DUFR-TF-SPG-66-BSS	66" (167.64 CM)
DUFR-TF-SPG-72-BSS	72" (182.88 CM)

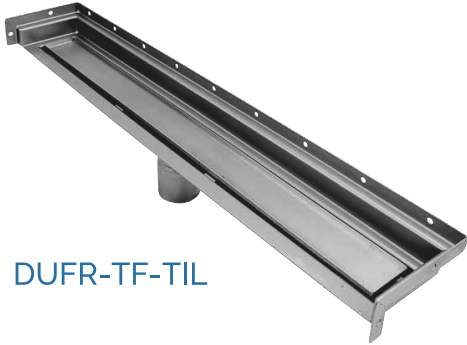
DUFR-TF-SPG: BLACK POWDER COATED

MODEL:	LENGTH:
DUFR-TF-SPG-30-BP	30" (76.20 CM)
DUFR-TF-SPG-32-BP	32" (81.28 CM)
DUFR-TF-SPG-34-BP	34" (86.36 CM)
DUFR-TF-SPG-36-BP	36" (91.44 CM)
DUFR-TF-SPG-40-BP	40" (101.60 CM)
DUFR-TF-SPG-42-BP	42" (106.68 CM)
DUFR-TF-SPG-44-BP	44" (111.76 CM)
DUFR-TF-SPG-48-BP	48" (121.92 CM)
DUFR-TF-SPG-54-BP	54" (137.16 CM)
DUFR-TF-SPG-60-BP	60" (152.40 CM)
DUFR-TF-SPG-66-BP	66" (167.64 CM)
DUFR-TF-SPG-72-BP	72" (182.88 CM)



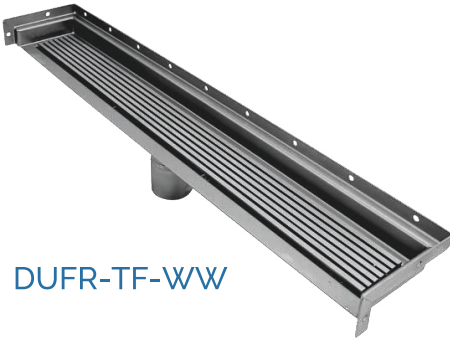
DUFR- TF: SERIES

"TILE-IN TRAY" - GRATES

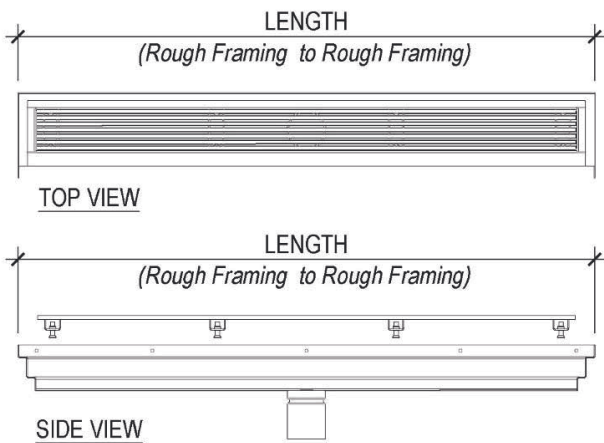


DUFR-TF-TIL

"WEDGEWIRE" - GRATES



DUFR-TF-WW



DUFR-TF-TIL: BRUSHED STAINLESS STEEL

MODEL:	LENGTH:
DUFR-TF-TIL-30-BSS	30" (76.20 CM)
DUFR-TF-TIL-32-BSS	32" (81.28 CM)
DUFR-TF-TIL-34-BSS	34" (86.36 CM)
DUFR-TF-TIL-36-BSS	36" (91.44 CM)
DUFR-TF-TIL-40-BSS	40" (101.60 CM)
DUFR-TF-TIL-42-BSS	42" (106.68 CM)
DUFR-TF-TIL-44-BSS	44" (111.76 CM)
DUFR-TF-TIL-48-BSS	48" (121.92 CM)
DUFR-TF-TIL-54-BSS	54" (137.16 CM)
DUFR-TF-TIL-60-BSS	60" (152.40 CM)
DUFR-TF-TIL-66-BSS	66" (167.64 CM)
DUFR-TF-TIL-72-BSS	72" (182.88 CM)

DUFR-TF-WW: POLISHED STAINLESS STEEL

MODEL:	LENGTH:
DUFR-TF-WW-30-PSS	30" (76.20 CM)
DUFR-TF-WW-32-PSS	32" (81.28 CM)
DUFR-TF-WW-34-PSS	34" (86.36 CM)
DUFR-TF-WW-36-PSS	36" (91.44 CM)
DUFR-TF-WW-40-PSS	40" (101.60 CM)
DUFR-TF-WW-42-PSS	42" (106.68 CM)
DUFR-TF-WW-44-PSS	44" (111.76 CM)
DUFR-TF-WW-48-PSS	48" (121.92 CM)
DUFR-TF-WW-54-PSS	54" (137.16 CM)
DUFR-TF-WW-60-PSS	60" (152.40 CM)
DUFR-TF-WW-66-PSS	66" (167.64 CM)
DUFR-TF-WW-72-PSS	72" (182.88 CM)

DUFR-TF-WW: BRUSHED STAINLESS STEEL

MODEL:	LENGTH:
DUFR-TF-WW-30-BSS	30" (76.20 CM)
DUFR-TF-WW-32-BSS	32" (81.28 CM)
DUFR-TF-WW-34-BSS	34" (86.36 CM)
DUFR-TF-WW-36-BSS	36" (91.44 CM)
DUFR-TF-WW-40-BSS	40" (101.60 CM)
DUFR-TF-WW-42-BSS	42" (106.68 CM)
DUFR-TF-WW-44-BSS	44" (111.76 CM)
DUFR-TF-WW-48-BSS	48" (121.92 CM)
DUFR-TF-WW-54-BSS	54" (137.16 CM)
DUFR-TF-WW-60-BSS	60" (152.40 CM)
DUFR-TF-WW-66-BSS	66" (167.64 CM)
DUFR-TF-WW-72-BSS	72" (182.88 CM)

DUFR-TF-WW: BLACK POWDER COATED

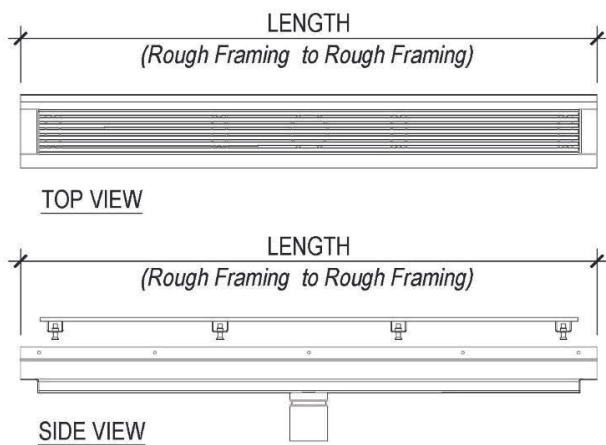
MODEL:	LENGTH:
DUFR-TF-WW-30-BP	30" (76.20 CM)
DUFR-TF-WW-32-BP	32" (81.28 CM)
DUFR-TF-WW-34-BP	34" (86.36 CM)
DUFR-TF-WW-36-BP	36" (91.44 CM)
DUFR-TF-WW-40-BP	40" (101.60 CM)
DUFR-TF-WW-42-BP	42" (106.68 CM)
DUFR-TF-WW-44-BP	44" (111.76 CM)
DUFR-TF-WW-48-BP	48" (121.92 CM)
DUFR-TF-WW-54-BP	54" (137.16 CM)
DUFR-TF-WW-60-BP	60" (152.40 CM)
DUFR-TF-WW-66-BP	66" (167.64 CM)
DUFR-TF-WW-72-BP	72" (182.88 CM)

DUFR- TN: SERIES

"SQUARE" - PERFORATED GRATES



DUFR-TN-SPG



DUFR-TN-SPG: POLISHED STAINLESS STEEL

MODEL:	LENGTH:
DUFR-TN-SPG-30-PSS	30" (76.20 CM)
DUFR-TN-SPG-32-PSS	32" (81.28 CM)
DUFR-TN-SPG-34-PSS	34" (86.36 CM)
DUFR-TN-SPG-36-PSS	36" (91.44 CM)
DUFR-TN-SPG-40-PSS	40" (101.60 CM)
DUFR-TN-SPG-42-PSS	42" (106.68 CM)
DUFR-TN-SPG-44-PSS	44" (111.76 CM)
DUFR-TN-SPG-48-PSS	48" (121.92 CM)
DUFR-TN-SPG-54-PSS	54" (137.16 CM)
DUFR-TN-SPG-60-PSS	60" (152.40 CM)
DUFR-TN-SPG-66-PSS	66" (167.64 CM)
DUFR-TN-SPG-72-PSS	72" (182.88 CM)

DUFR-TN-SPG: BRUSHED STAINLESS STEEL

MODEL:	LENGTH:
DUFR-TN-SPG-30-BSS	30" (76.20 CM)
DUFR-TN-SPG-32-BSS	32" (81.28 CM)
DUFR-TN-SPG-34-BSS	34" (86.36 CM)
DUFR-TN-SPG-36-BSS	36" (91.44 CM)
DUFR-TN-SPG-40-BSS	40" (101.60 CM)
DUFR-TN-SPG-42-BSS	42" (106.68 CM)
DUFR-TN-SPG-44-BSS	44" (111.76 CM)
DUFR-TN-SPG-48-BSS	48" (121.92 CM)
DUFR-TN-SPG-54-BSS	54" (137.16 CM)
DUFR-TN-SPG-60-BSS	60" (152.40 CM)
DUFR-TN-SPG-66-BSS	66" (167.64 CM)
DUFR-TN-SPG-72-BSS	72" (182.88 CM)

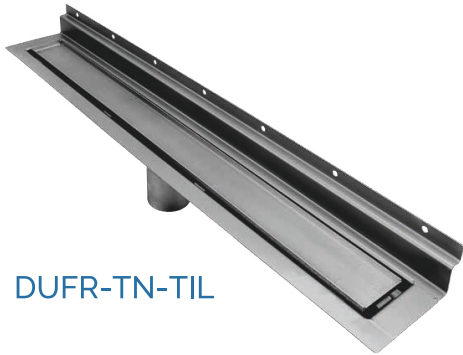
DUFR-TN-SPG: BLACK POWDER COATED

MODEL:	LENGTH:
DUFR-TN-SPG-30-BP	30" (76.20 CM)
DUFR-TN-SPG-32-BP	32" (81.28 CM)
DUFR-TN-SPG-34-BP	34" (86.36 CM)
DUFR-TN-SPG-36-BP	36" (91.44 CM)
DUFR-TN-SPG-40-BP	40" (101.60 CM)
DUFR-TN-SPG-42-BP	42" (106.68 CM)
DUFR-TN-SPG-44-BP	44" (111.76 CM)
DUFR-TN-SPG-48-BP	48" (121.92 CM)
DUFR-TN-SPG-54-BP	54" (137.16 CM)
DUFR-TN-SPG-60-BP	60" (152.40 CM)
DUFR-TN-SPG-66-BP	66" (167.64 CM)
DUFR-TN-SPG-72-BP	72" (182.88 CM)



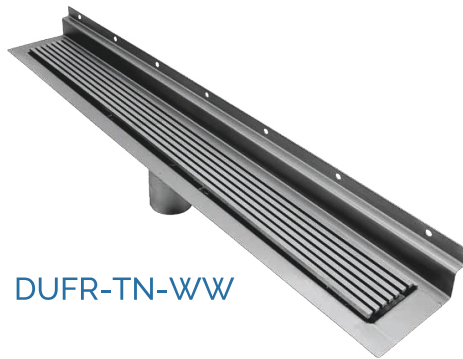
DUFR- TN: SERIES

"TILE-IN TRAY" - GRATES

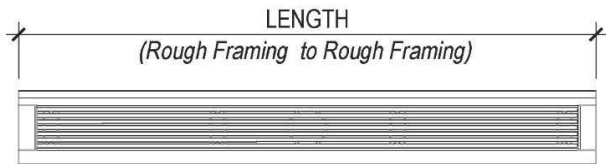


DUFR-TN-TIL

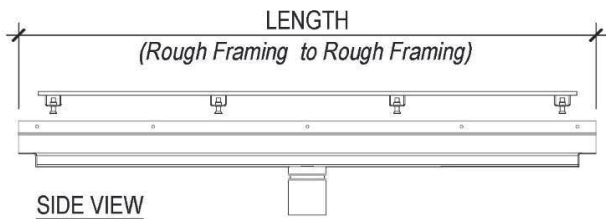
"WEDGEWIRE" - GRATES



DUFR-TN-WW



TOP VIEW



SIDE VIEW



DUFR-TN-TIL: BRUSHED STAINLESS STEEL

MODEL:	LENGTH:
DUFR-TN-TIL-30-BSS	30" (76.20 CM)
DUFR-TN-TIL-32-BSS	32" (81.28 CM)
DUFR-TN-TIL-34-BSS	34" (86.36 CM)
DUFR-TN-TIL-36-BSS	36" (91.44 CM)
DUFR-TN-TIL-40-BSS	40" (101.60 CM)
DUFR-TN-TIL-42-BSS	42" (106.68 CM)
DUFR-TN-TIL-44-BSS	44" (111.76 CM)
DUFR-TN-TIL-48-BSS	48" (121.92 CM)
DUFR-TN-TIL-54-BSS	54" (137.16 CM)
DUFR-TN-TIL-60-BSS	60" (152.40 CM)
DUFR-TN-TIL-66-BSS	66" (167.64 CM)
DUFR-TN-TIL-72-BSS	72" (182.88 CM)

DUFR-TN-WW: POLISHED STAINLESS STEEL

MODEL:	LENGTH:
DUFR-TN-WW-30-PSS	30" (76.20 CM)
DUFR-TN-WW-32-PSS	32" (81.28 CM)
DUFR-TN-WW-34-PSS	34" (86.36 CM)
DUFR-TN-WW-36-PSS	36" (91.44 CM)
DUFR-TN-WW-40-PSS	40" (101.60 CM)
DUFR-TN-WW-42-PSS	42" (106.68 CM)
DUFR-TN-WW-44-PSS	44" (111.76 CM)
DUFR-TN-WW-48-PSS	48" (121.92 CM)
DUFR-TN-WW-54-PSS	54" (137.16 CM)
DUFR-TN-WW-60-PSS	60" (152.40 CM)
DUFR-TN-WW-66-PSS	66" (167.64 CM)
DUFR-TN-WW-72-PSS	72" (182.88 CM)

DUFR-TN-WW: BRUSHED STAINLESS STEEL

MODEL:	LENGTH:
DUFR-TF-WW-30-BSS	30" (76.20 CM)
DUFR-TF-WW-32-BSS	32" (81.28 CM)
DUFR-TF-WW-34-BSS	34" (86.36 CM)
DUFR-TF-WW-36-BSS	36" (91.44 CM)
DUFR-TF-WW-40-BSS	40" (101.60 CM)
DUFR-TF-WW-42-BSS	42" (106.68 CM)
DUFR-TF-WW-44-BSS	44" (111.76 CM)
DUFR-TF-WW-48-BSS	48" (121.92 CM)
DUFR-TF-WW-54-BSS	54" (137.16 CM)
DUFR-TF-WW-60-BSS	60" (152.40 CM)
DUFR-TF-WW-66-BSS	66" (167.64 CM)
DUFR-TF-WW-72-BSS	72" (182.88 CM)

DUFR-TN-WW: BLACK POWDER COATED

MODEL:	LENGTH:
DUFR-TN-WW-30-BP	30" (76.20 CM)
DUFR-TN-WW-32-BP	32" (81.28 CM)
DUFR-TN-WW-34-BP	34" (86.36 CM)
DUFR-TN-WW-36-BP	36" (91.44 CM)
DUFR-TN-WW-40-BP	40" (101.60 CM)
DUFR-TN-WW-42-BP	42" (106.68 CM)
DUFR-TN-WW-44-BP	44" (111.76 CM)
DUFR-TN-WW-48-BP	48" (121.92 CM)
DUFR-TN-WW-54-BP	54" (137.16 CM)
DUFR-TN-WW-60-BP	60" (152.40 CM)
DUFR-TN-WW-66-BP	66" (167.64 CM)
DUFR-TN-WW-72-BP	72" (182.88 CM)



DUFT SERIES- NEO ANGLE CORNER FLOORDRAIN



DUFT Triangle
Corner Floor
Drain



DUFT SERIES - CORNER DRAIN MODEL SELECTION



DUFT-T9 (Triangle)



DUFT-S6 - (Square)

CORNER DRAIN

DUFT Series corner drains are a two-part low profile floor drain system specifically designed for Neo-Angle showers that seamlessly blends into its surrounding for an easy installation and bonded waterproofing membrane. DUFT corner drain is designed to accommodate large and small format tiles or slab installations in a shower with a single plane slope to the drain. The DUFT corner drain is designed for commercial or residential projects and is intended for interior applications.

ADVANTAGES

- Single slope to drain.
- Allows for the use of any size tile format.
- Tile-in grate available to match floor tile.
- Made from heavy duty 304 austenic stainless steel with a passivated corrosion resistant finish for a life time of performance and protection

SUITABLE SUBSTRATES

- Concrete
- Exterior Glue Plywood (Interior Only)
- Cement Backer Board
- Cement Mortar Bed

Model DUFT-____-TIL-BSS eg.(DUFT-T9-TIL-BSS)

MODEL:

DUFT-T9

DUFT-S6

GRATE STYLE:

TIL - Pietra Style (Tile in Tray)

FINISH:

 BSS- Brushed Stainless Steel



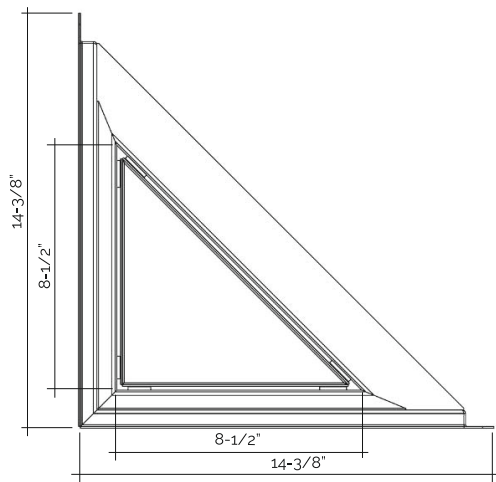
DUFT SERIES



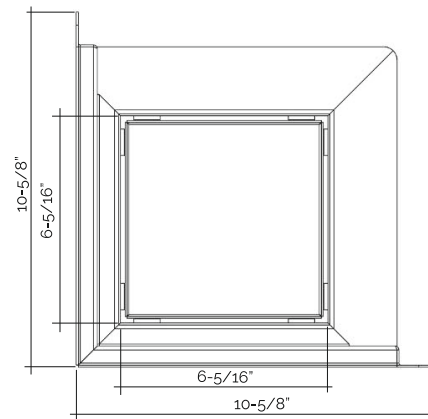
DUFT-T9 (Triangle)



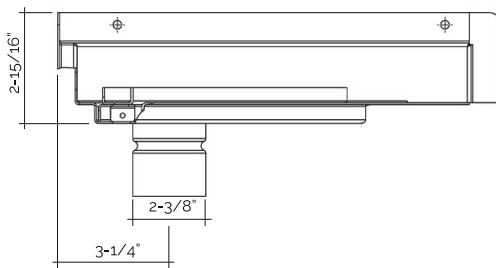
DUFT-S6 - (Square)



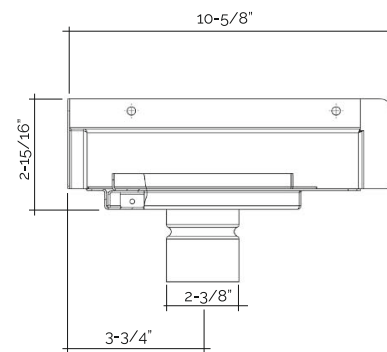
TOP VIEW



TOP VIEW



SIDE VIEW



SIDE VIEW

DUFT-T9 : TRIANGLE CORNER DRAIN

MODEL:	GRATE SIZE:
DUFT-T9-TIL-BSS	8.5"x8.5x12"

DUFT-S6 : SQUARE CORNER DRAIN

MODEL:	GRATE SIZE:
DUFT-S6-TIL-BSS	6.3"x6.3"

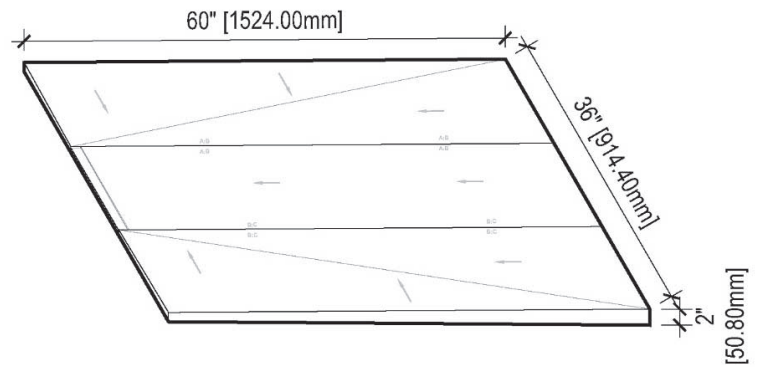
PNMD1 SERIES PRE-SLOPED FOAM SHOWER BASE: MODEL SELECTION



PNMD1- SHOWER BASE

PRE-SLOPED SHOWER BASE

PNMD1 pre-sloped shower base is a 3'-0" by 5'-0" three-way slope tray design that accommodates the 12" DUW Series Wall Recessed linear drain.



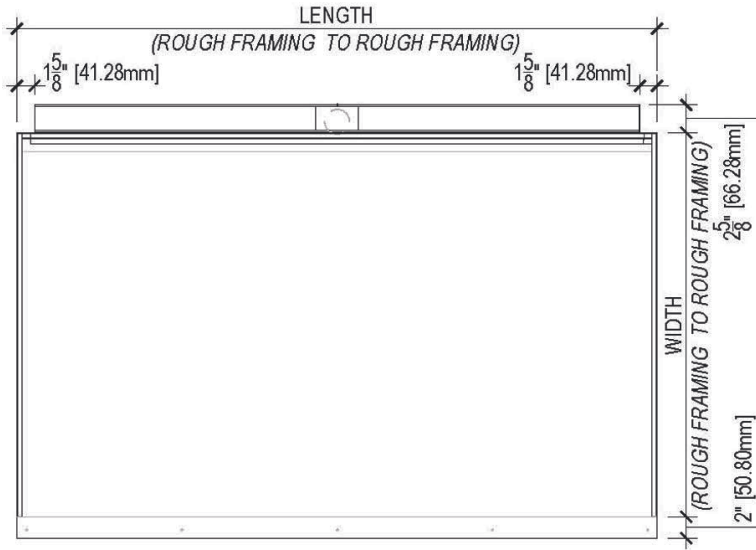
12" DUW Series Wall Drain

MODEL:

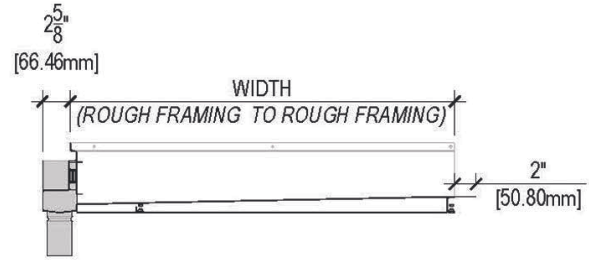
- PNMD1-3660** (Tray Only)
- PNMD1-3660-DUW-T12**
(Floor Tile (1/8" - 3/8" thick) Ready Drain & Tray Kit)
- PNMD1-3660-DUW-S12**
(Floor Slab (1/2" - 3/4" thick) Ready Drain & Tray Kit)



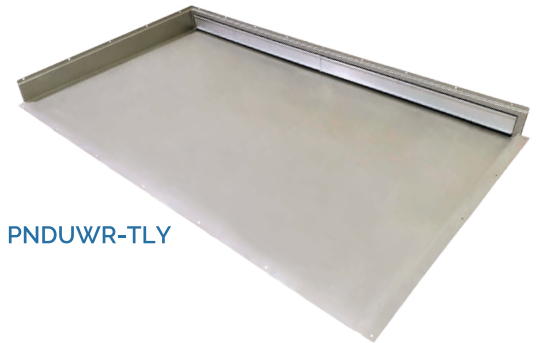
PNDUW SERIES PRE-SLOPED STAINLESS STEEL CURBLESS SHOWER PAN & INTEGRATED DRAIN: MODEL SELECTION



PLAN VIEW - 'TRY'



SIDE SECTION



PNDUWR-TLY

"Y"- CURBLESS ADA ENTRY

Model PNDUWR-___-___X___-BSS_____eg.(DUWR-TFY-60"X36"-BSS)

MODEL:

- | | |
|--|---|
| <p><input type="checkbox"/> PNDUWR-TFY:
(Tile Ready -Three Side Return Flange) <i>Ideal for wall to wall installation with 1/8" to 3/8" thick floor tile*</i></p> <p><input type="checkbox"/> PNDUWR-SFY:
(Slab Ready - Three Side Return Flange) <i>Ideal for wall to wall installation with 1/2" to 3/4" thick floor slab*</i></p> <p><input type="checkbox"/> PNDUWR-TNY:
(Tile Ready - Backwall Return Flange Only) <i>Ideal for curbed or curbless installation with 1/8" to 3/8" thick floor tile*</i></p> <p><input type="checkbox"/> PNDUWR-SNY:
(Slab Ready - Backwall Return Flange Only) <i>Ideal for curbed or curbless installation with 1/2" to 3/4" thick floor slab.</i></p> | <p><input type="checkbox"/> PNDUWR-TRY:
(Tile Ready - Right side & Backwall Return Flange) <i>Ideal for wall to wall installation with 1/8" to 3/8" thick floor tile*</i></p> <p><input type="checkbox"/> PNDUWR-SRY:
(Slab Ready - Right side & Backwall Return Flange) <i>Ideal for wall to wall installation with 1/2" to 3/4" thick floor slab*</i></p> <p><input type="checkbox"/> PNDUWR-TLY:
(Tile Ready - Left side & Backwall Return Flange) <i>Ideal for wall to wall installation with 1/8" to 3/8" thick floor tile*</i></p> <p><input type="checkbox"/> PNDUWR-SLY:
(Slab Ready - Left side & Backwall Return Flange) <i>Ideal for wall to wall installation with 1/2" to 3/4" thick floor slab*</i></p> |
|--|---|

LENGTH X WIDTH

- ___"X___"

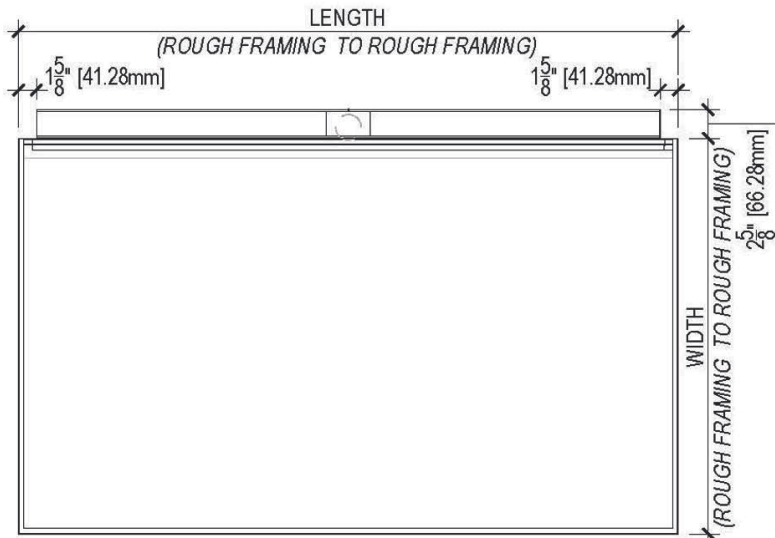
FINISH

- BSS- Brushed Stainless Steel**

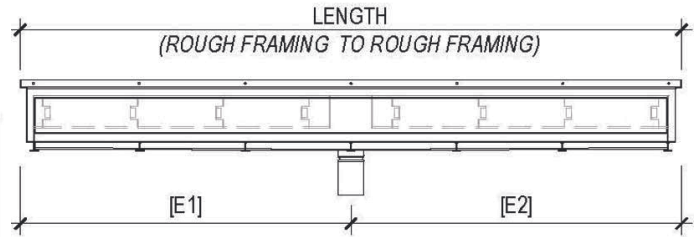
* CUSTOM OPTIONS

- *SOR___** -Single (R)ight Offset Outlet from outside edge of the channel.
- *SOL___** - Single (L)eft Offset Outlet from outside edge of the channel.
- *DOR___L___** - Dual Offset Outlet from (R)ight edge and (L)eft edge of the channel.
- *316** - AISI316L Stainless Steel

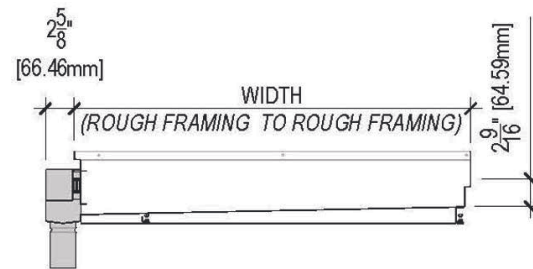
PNDUWR SERIES PRE-SLOPED STAINLESS STEEL CURBED SHOWER PAN & INTEGRATED DRAIN: MODEL SELECTION



PLAN VIEW - 'TRZ'



FRONT SECTION - 'TFZ'



SIDE SECTION

'Z'- CURBED ENTRY

Model PNDUWR-___-___X___-BSS* _____ eg.(DUWR-TFY-60\"X36\"-BSS)

MODEL:

- PNDUWR-TFZ:**
(Tile Ready -Three Side Return Flange) *Ideal for wall to wall installation with 1/8" to 3/8" thick floor tile**
- PNDUWR-SFZ:**
(Slab Ready - Three Side Return Flange) *Ideal for wall to wall installation with 1/2" to 3/4" thick floor Slab**
- PNDUWR-TNZ:**
(Tile Ready - Backwall Return Flange Only) *Ideal for curbed or curbless installation with 1/8" to 3/8" thick floor tile**
- PNDUWR-SNZ:**
(Slab Ready - Backwall Return Flange Only) *Ideal for curbed or curbless installation with 1/2" to 3/4" thick floor Slab.*

- PNDUWR-TRZ:**
(Tile Ready - Right side & Backwall Return Flange) *Ideal for wall to wall installation with 1/8" to 3/8" thick floor tile**
- PNDUWR-SRZ:**
(Slab Ready - Right side & Backwall Return Flange) *Ideal for wall to wall installation with 1/2" to 3/4" thick floor Slab**
- PNDUWR-TLZ:**
(Tile Ready - Left side & Backwall Return Flange) *Ideal for wall to wall installation with 1/8" to 3/8" thick floor tile**
- PNDUWR-SLZ:**
(Slab Ready - Left side & Backwall Return Flange) *Ideal for wall to wall installation with 1/2" to 3/4" thick floor Slab**

LENGTH X WIDTH

- ___" X ___"

FINISH

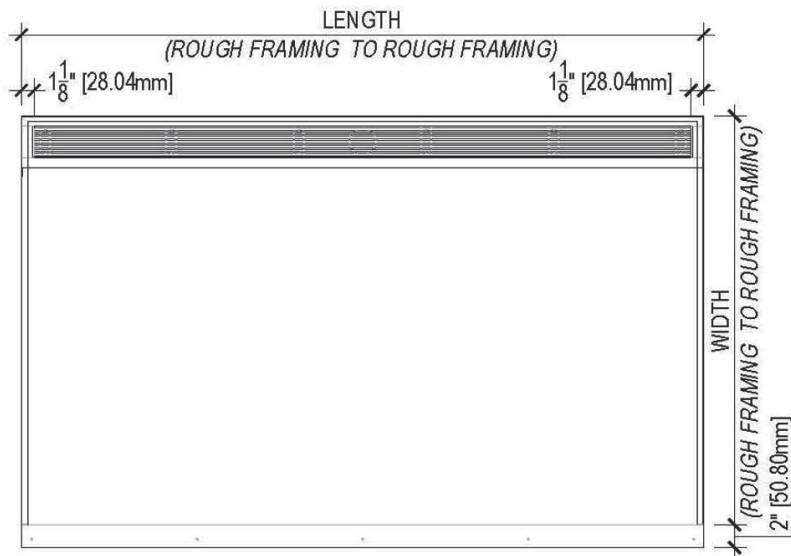
-  **BSS**- Brushed Stainless Steel

* CUSTOM OPTIONS

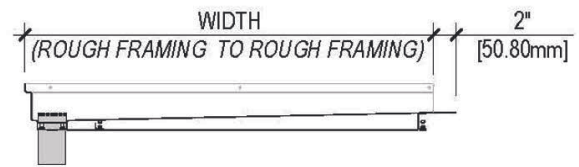
- *SOR___** - Single (R)ight Offset Outlet from outside edge of the channel.
- *SOL___** - Single (L)eft Offset Outlet from outside edge of the channel.
- *DOR___L___** - Dual Offset Outlet from (R)ight edge and (L)eft edge of the channel.
- *316** - AISI316L Stainless Steel



PNDUFR SERIES PRE-SLOPED STAINLESS STEEL CURBLESS SHOWER PAN & INTEGRATED DRAIN: MODEL SELECTION



PLAN VIEW - 'TRY'



SIDE SECTION

"Y"- CURBLESS ADA ENTRY

Model PNDUFR-____-____X____-BSS * _____ eg.(PNDUFR-TFX-WW-60"X36"-BSS)

* CUSTOM OPTIONS

- *SOR__ - Single (R)ight Offset Outlet from outside edge of the channel.
- *SOL__ - Single (L)eft Offset Outlet from outside edge of the channel.
- *DOR__L__ - Dual Offset Outlet from (R)ight edge and (L)eft edge of the channel.
- *316 - AISI316L Stainless Steel

MODEL:

- PNDUFR-TFY:**
(Tile Ready - Three Side Return Flange) *Ideal for wall to wall installation with 1/8" to 3/8" thick floor tile**
- PNDUFR-SFY:**
(Slab Ready - Three Side Return Flange) *Ideal for wall to wall installation with 1/2" to 3/4" thick wall Slab**
- PNDUFR-TNY:**
(Tile Ready - Backwall Return Flange Only) *Ideal for curbed or curbless installation with 1/8" to 3/8" thick wall tile**
- PNDUFR-SNY:**
(Slab Ready - Backwall Return Flange Only) *Ideal for curbed or curbless installation with 1/2" to 3/4" thick wall Slab.*
- PNDUFR-TRY:**
(Tile Ready - Right side & Backwall Return Flange) *Ideal for wall to wall installation with 1/8" to 3/8" thick wall tile**
- PNDUFR-SRY:**
(Slab Ready - Right side & Backwall Return Flange) *Ideal for wall to wall installation with 1/2" to 3/4" thick wall Slab**
- PNDUFR-TLY:**
(Tile Ready - Left side & Backwall Return Flange) *Ideal for wall to wall installation with 1/8" to 3/8" thick wall tile**
- PNDUFR-SLY:**
(Slab Ready - Left side & Backwall Return Flange) *Ideal for wall to wall installation with 1/2" to 3/4" thick wall Slab**




GRATE STYLE:

- SPG** - Square Perforated
- TIL** - Pietra Style (Tile in Tray)
- WW** - Wedgewire

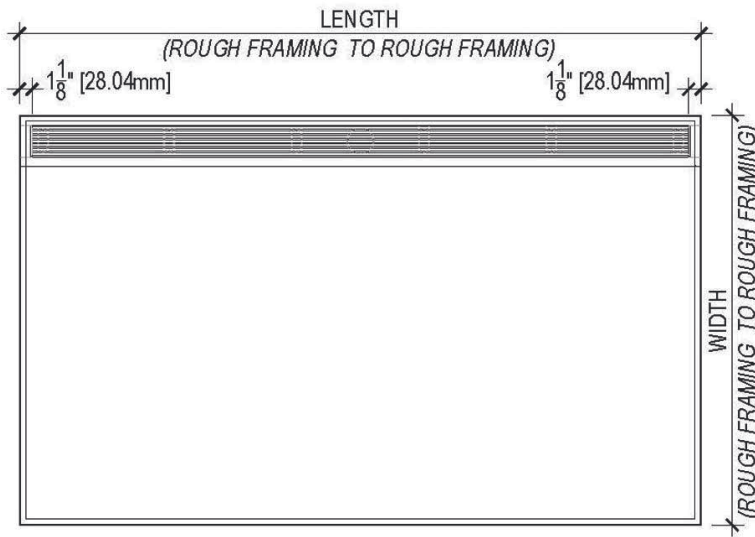
LENGTH X WIDTH

____" X ____"

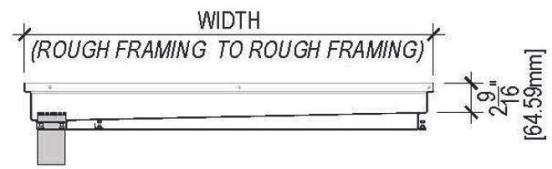
FINISH

-  **PSS**- Polished Stainless Steel (All except TIL)
-  **BSS**- Brushed Stainless Steel (All)
-  **BP**- Black Powder Coated (SPG & WW Only)

PNDUFR SERIES PRE-SLOPED STAINLESS STEEL CURBED SHOWER PAN & INTEGRATED DRAIN: MODEL SELECTION



PLAN VIEW - 'TRZ'



SIDE SECTION

* CUSTOM OPTIONS

- *SOR__ - Single (R)ight Offset Outlet from outside edge of the channel.
- *SOL__ - Single (L)eft Offset Outlet from outside edge of the channel.
- *DOR__L__ - Dual Offset Outlet from (R)ight edge and (L)eft edge of the channel.
- *316 - AISI316L Stainless Steel

"X"- CURBLED ENTRY

Model PNDUFR-__-__-__X__-BSS* _____ eg.(PNDUFR-TFX-WW-60"X36"-BSS)

MODEL:

- PNDUFR-TFZ:**
(Tile Ready - Three Side Return Flange) *Ideal for wall to wall installation with 1/8" to 3/8" thick floor tile**
- PNDUFR-SFZ:**
(Slab Ready - Three Side Return Flange) *Ideal for wall to wall installation with 1/2" to 3/4" thick wall Slab**
- PNDUFR-TNZ:**
(Tile Ready - Backwall Return Flange Only) *Ideal for curbed or curbless installation with 1/8" to 3/8" thick wall tile**
- PNDUFR-SNZ:**
(Slab Ready - Backwall Return Flange Only) *Ideal for curbed or curbless installation with 1/2" to 3/4" thick wall Slab.*
- PNDUFR-TRZ:**
(Tile Ready - Right side & Backwall Return Flange) *Ideal for wall to wall installation with 1/8" to 3/8" thick wall tile**
- PNDUFR-SRZ:**
(Slab Ready - Right side & Backwall Return Flange) *Ideal for wall to wall installation with 1/2" to 3/4" thick wall Slab**
- PNDUFR-TLZ:**
(Tile Ready - Left side & Backwall Return Flange) *Ideal for wall to wall installation with 1/8" to 3/8" thick wall tile**
- PNDUFR-SLZ:**
(Slab Ready - Left side & Backwall Return Flange) *Ideal for wall to wall installation with 1/2" to 3/4" thick wall Slab**

GRATE STYLE:

- SPG** - Square Perforated
- TIL** - Pietra Style (Tile in Tray)
- WW** - Wedgewire

LENGTH X WIDTH

- ____" X ____"

FINISH

- PSS** - Polished Stainless Steel (All except TIL)
- BSS** - Brushed Stainless Steel (All)
- BP** - Black Powder Coated (SPG & WW Only)



DUXT & DUXS SERIES - EXTERIOR DRAINS



DUXT SERIES



DUXS SERIES



DUXT SERIES - MODEL SELECTION



"WW Wedgewire Grate"



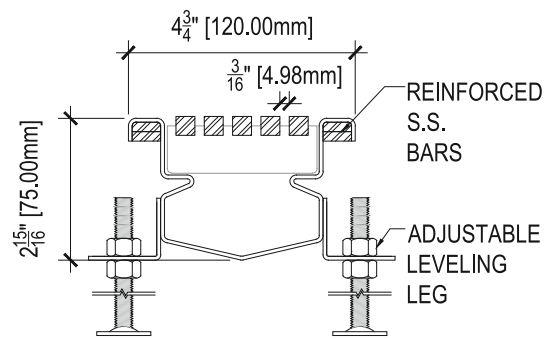
"Pp Perforated Grate"

EXTERIOR TRENCH DRAIN

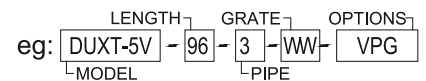
DUXT Series exterior trench drain provides a timeless, durable aesthetic appeal that will last a lifetime. The Channel and high heel-rated grating are constructed of industrial-grade stainless steel with a rust-resistant passivated coating.

APPLICATION:

- Building Entry
- Garage
- Pools
- Patios
- Saunas & Spas
- Commercial Kitchens



Model DUXT-____-____-____-____-



MODEL:

DUXT-5V:
5" wide V-Shape bottom
Heavy Duty trench drain
w/ vertical no-hub outlet

DUXT-5H:
5" wide V-Shape bottom
Heavy Duty trench drain
w/ horizontal no-hub
outlet

LENGTH:

_____"
Custom Length

PIPE SIZE:

- 2:** 2-3/8" O.D. [60.3mm]
 3: 3-1/2" O.D. [89.9mm]
 4: 4-1/2" O.D. [114.1mm]

GRATE STYLE:

- B** - Perforated Sheet - 9GA
 WW - Wedgewire - 1/2" thick
 P - Solid plate grate w/
perimeter slots - 1/2" thick.
 Pp - Perforated plate grate -
1/2" thick

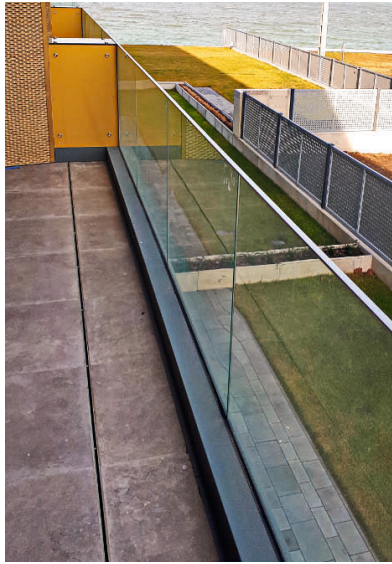
* CUSTOM OPTION:

- *SOR__** - Single (R)ight Offset Outlet
from outside edge of the channel.
 ***SOL__** - Single (L)eft Offset Outlet
from outside edge of the channel.
 ***DOR__"L__"** - Dual Offset
Outlet from (R)ight edge and (L)eft
edge of the channel.

- *VPG** - Locking Screwed in Grating
 ***FB** - Filter Cleanout Basket
 ***EXB8** - 8"x8" Extended Cleanout Box
 ***EXB12** - 12"x12" Extended Cleanout Box
 ***316** - AISI316L Stainless Steel



DUXS SERIES - MODEL SELECTION

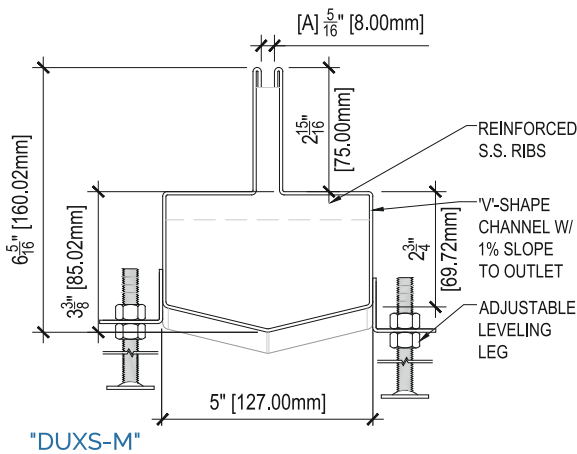


EXTERIOR SLOT DRAIN

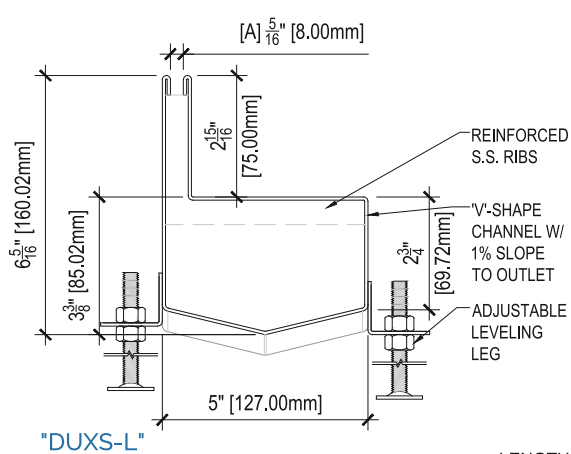
DUXS Series exterior slot drain provides a timeless, durable aesthetic appeal that will last a lifetime. The Channel and high heel-rated grating are constructed of industrial-grade stainless steel with a rust-resistant passivated coating.

APPLICATION:

- Building Entry
- Garage
- Pools
- Patios
- Saunas & Spas
- Commercial Kitchens



"DUXS-M"



"DUXS-L"

Model DUXT- _____

eg:

LENGTH	GRATE	OPTIONS
DUXS-MV	96	3-WW
MODEL	PIPE	VPG

MODEL:

DUXS-MV:
3/16" wide Center Slot V-Shape bottom Channel w/ vertical no-hub outlet

DUXS-MH:
3/16" wide Center Slot V-Shape bottom Channel w/ horizontal no-hub outlet

DUXS-LV:
3/16" wide End Slot V-Shape bottom Channel w/ vertical no-hub outlet

DUXS-LH:
3/16" wide End Slot V-Shape bottom Channel w/ horizontal no-hub outlet

LENGTH:

_____"
Custom Length

PIPE SIZE:

- 2: 2-3/8" O.D. [60.3mm]
- 3: 3-1/2" O.D. [89.9mm]
- 4: 4-1/2" O.D. [114.1mm]

EXTENDED BOX GRATE STYLE:

- B** - Perforated Sheet grate
- P** - Solid plate grate w/ perimeter slots - 1/2" thick.
- Pp** - Perforated plate grate w/ perimeter slots - 1/2" thick.

* CUSTOM OPTION:

- *SOR_____** - Single (R)ight Offset Outlet from outside edge of the channel.
- *SOL_____** - Single (L)eft Offset Outlet from outside edge of the channel.
- *DOR_____L_____** - Dual Offset Outlet from (R)ight edge and (L)eft edge of the channel.

- *VPG** - Locking Screwed in Grating
- *FB** - Filter Cleanout Basket
- *EXB8** - 8"x8" Extended Cleanout Box
- *EXB12** - 12"x12" Extended Cleanout Box
- *316** - AISI316L Stainless Steel



 YouTube



DRAINS
UNLIMITED



1(833) 837-2467 | info@drains-unlimited.com | www.drains-unlimited.com